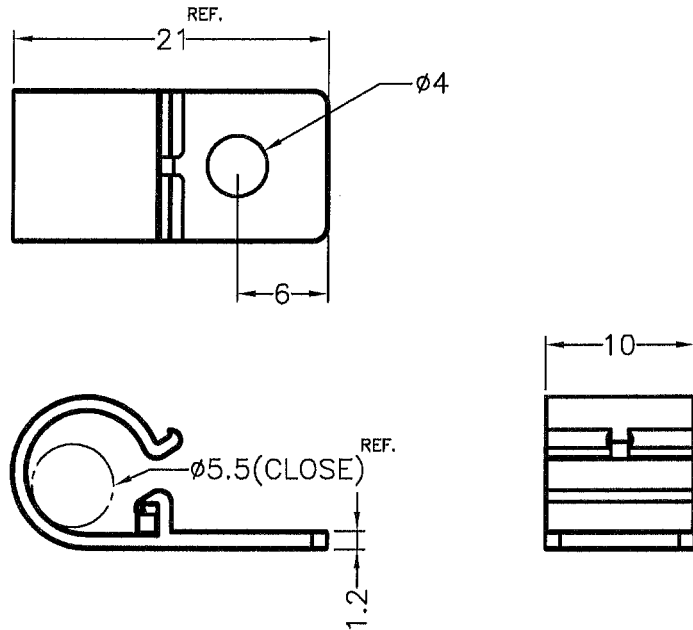


DIM.	TOL.
5mm DOWN	±0.2
5~20mm	±0.3
20~40mm	±0.4
40~60mm	±0.5
60~100mm	±0.8
100mm UP	±1.0

Patented Product  
專利產品

REVISIONS			
REV	DESCRIPTION	DATE	BY



PART NO.	COLOR
CCB-2	NATURAL
CCB-2(B)	BLACK

NOTE: All measurement does not include gate which raises under 0.3mm




 康揚企業股份有限公司  
 KANG YANG HARDWARE ENTERPRISE CO., LTD.  
 康揚塑膠(東莞)有限公司  
 KANG YANG PLASTIC(DONG GUAN) CO., LTD.  
 康哲電腦配件(吳江)有限公司  
 KANG CHE COMPUTER COMPONENTS(WUJIANG) CO., LTD.

TITLE	WIRE MOUNT	SPEC. DWG.
MATERIAL	NYLON 66 UL94V-2	DATE
FINISH		2010.01.04
COLOR	SEE ABOVE	DRAWN
UNLESS OTHERWISE SPECIFIED TOLERANCE	SEE ABOVE	T.C
PART NUMBER	SEE ABOVE	CHECK
DRAWING NUMBER	CCB-2	APPROVED
SIZE	A4	SCALE
UNIT	mm	2:1
REV	B	

Kang