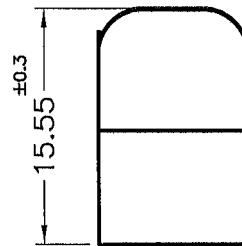
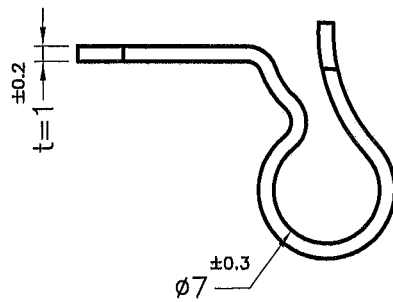
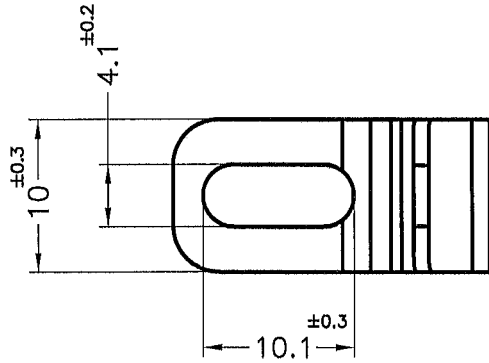


REVISIONS			
REV	DESCRIPTION	DATE	BY



PART NO.	COLOR
CCMG-1	NATURAL
CCMG-1(B)	BLACK

NOTE: 1. SHRINKING IS NORMAL STATUS.
 內縮為正常現象。
 2. MADE OF EQUIVALENT MATERIAL.
 可使用同等材質。



				TITLE	WIRE MOUNT	SPEC. DWG.	
				MATERIAL	NYLON 66 UL94V-2	DATE	2009.07.06
				FINISH		DRAWN	Eric
				COLOR	SEE ABOVE	CHECK	彭永承
PART NUMBER	SEE ABOVE	DRAWING NUMBER	CCMG-1	UNLESS OTHERWISE SPECIFIED TOLERANCE	SEE ABOVE	APPROVED	Kang
SIZE	A4	SCALE	2:1	UNIT	mm	REV	B