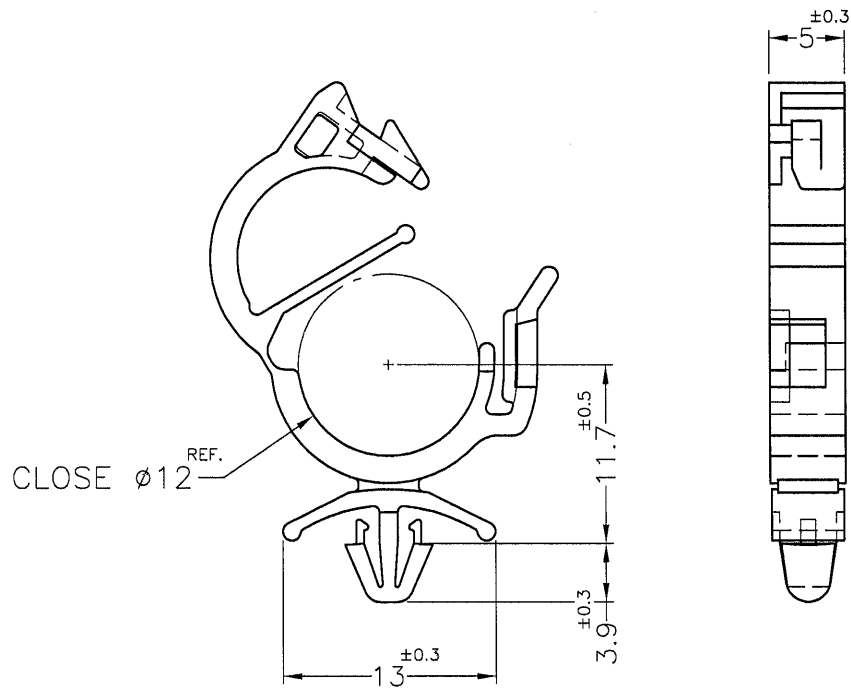


REVISIONS			
REV	DESCRIPTION	DATE	BY




MOUNTING HOLE: Ø4
 CHASSIS THICKNESS: 0.8~1.6mm

PART NO.	COLOR
CHN-12	NATURAL
CHN-12(B)	BLACK

NOTE: 1. SHRINKING IS NORMAL STATUS.
 內縮為正常現象。
 2. MADE OF EQUIVALENT MATERIAL.
 均可使用同等材質。



 <p>康揚企業股份有限公司 KANG YANG HARDWARE ENTERPRISE CO., LTD. 康揚塑膠(東莞)有限公司 KANG YANG PLASTIC(DONG GUAN) CO., LTD. 康哲電腦配件(吳江)有限公司 KANG CHE COMPUTER COMPONENTS(WUJIANG) CO., LTD.</p>				TITLE	WIRE MOUNT	SPEC. DWG.		
				MATERIAL	NYLON 66 UL94V-2	DATE	2005.11.01	
				FINISH		DRAWN	KEN	
				COLOR	SEE ABOVE	CHECK	薛梅	
PART NUMBER	SEE ABOVE	DRAWING NUMBER	CHN-12	UNLESS OTHERWISE SPECIFIED TOLERANCE		SEE ABOVE	APPROVED	Kang
SIZE	A4	SCALE	2:1	UNIT	mm	REV	A	