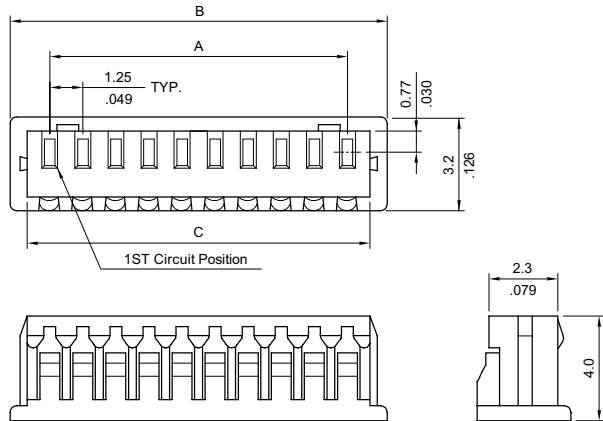
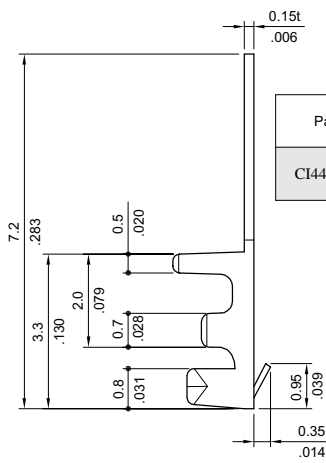
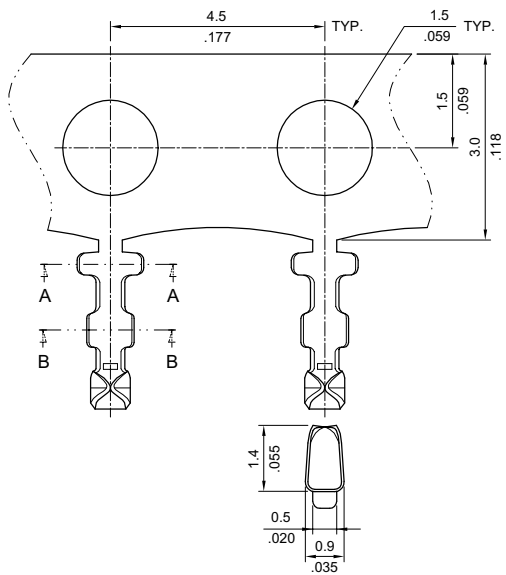


CI44 Series 1.25mm(.049") Wire to Board Connector

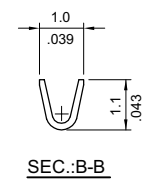
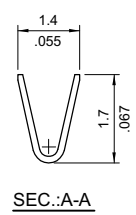
- ⊙ Latch housing secure terminal in housing and provides extra terminal retention
 - ⊙ Terminal accommodated AWG #28 ~ #32
- Construction**
- ⊙ Insulator: Nylon 66 UL 94V-0, Color Nature
 - ⊙ Terminal: Tin-lead plated Phosphor Bronze



Circuits	Dimension		
	A	B	C
2	1.25(.049)	4.3(.169)	2.95(.116)
3	2.5(.098)	5.5(.217)	4.2(.165)
4	3.75(.148)	6.8(.268)	5.45(.215)
5	5.0(.197)	8.0(.315)	6.7(.264)
6	6.25(.246)	9.3(.366)	7.95(.313)
7	7.5(.295)	10.5(.413)	9.2(.362)
8	8.75(.344)	11.8(.465)	10.45(.411)
9	10.0(.394)	13.0(.512)	11.7(.461)
10	11.25(.443)	14.3(.563)	12.95(.510)
11	12.5(.492)	15.5(.610)	14.2(.559)
12	13.75(.541)	16.8(.661)	15.45(.608)
13	15.0(.591)	18.0(.709)	16.7(.657)
14	16.25(.640)	19.3(.760)	17.95(.707)
15	17.5(.689)	20.5(.807)	19.2(.7560)



Part No.	Wire Range	Insulation Diameter	Reel Q'ty
CI44T011PE0	AWG #28-#32	1.0 (.039) MAX.	10,000 PCS.



Ordering Code

1 2 3 4
CI44 15 S 0000

- ① Series No.
- ② No. of Circuits: 02 to 15
- ③ S= Connector housing
- ④ Other options:
0000= Standard
*Special option Consult manufacturer

1 2 3 4 5 6
CI44 T01 1 P E 0

- ① Series No.
- ② Type: T01 = AWG #28-#32
- ③ Plating : 1 = Tin-lead over Nickel
- ④ Material: P = Phosphor Bronze
- ⑤ Plating method : E = Pre-tinned
- ⑥ Other options:
0 = Standard