

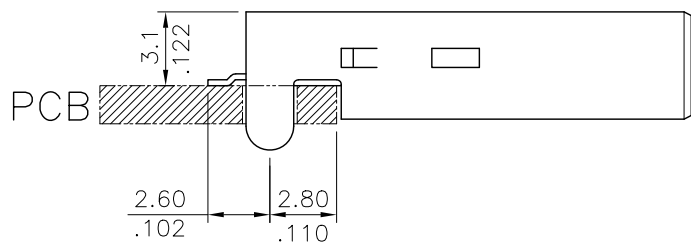
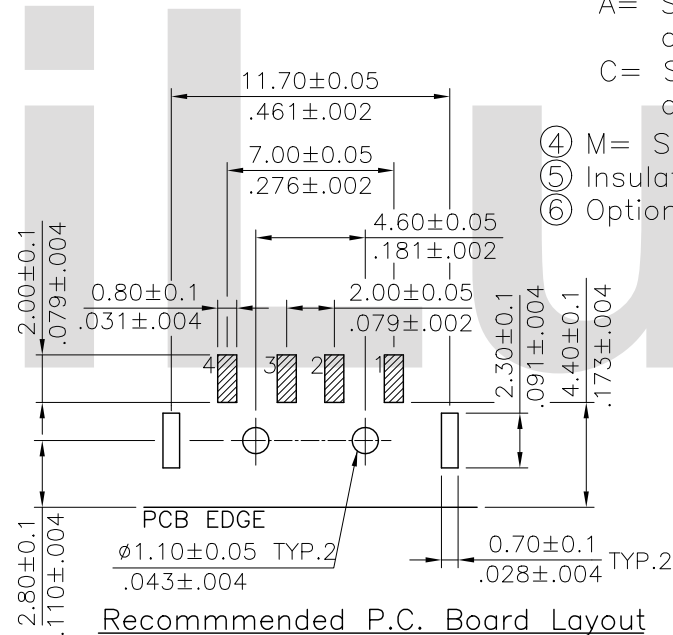
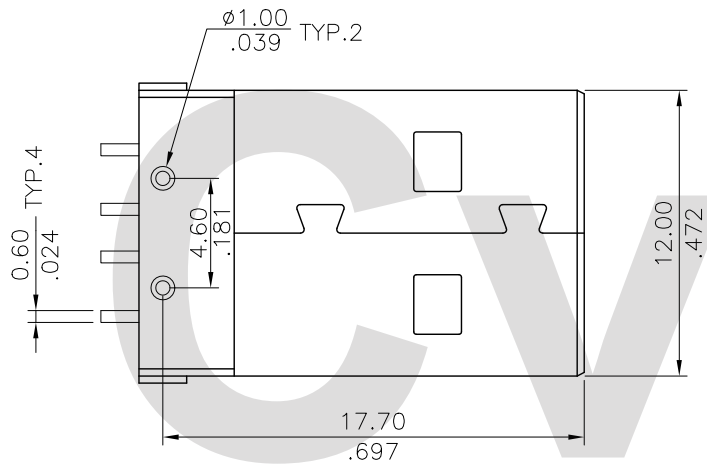
Materials & Finish:

Insulator: Glass filled Nylon 9T UL 94V-0  
 Contacts: Brass  
 Shell: Steel  
 Shell plating: 50μ" Nickel over 100μ" Cu

Ordering Code:

CU01 P A M 1 0\*0  
 ① ② ③ ④ ⑤ ⑥

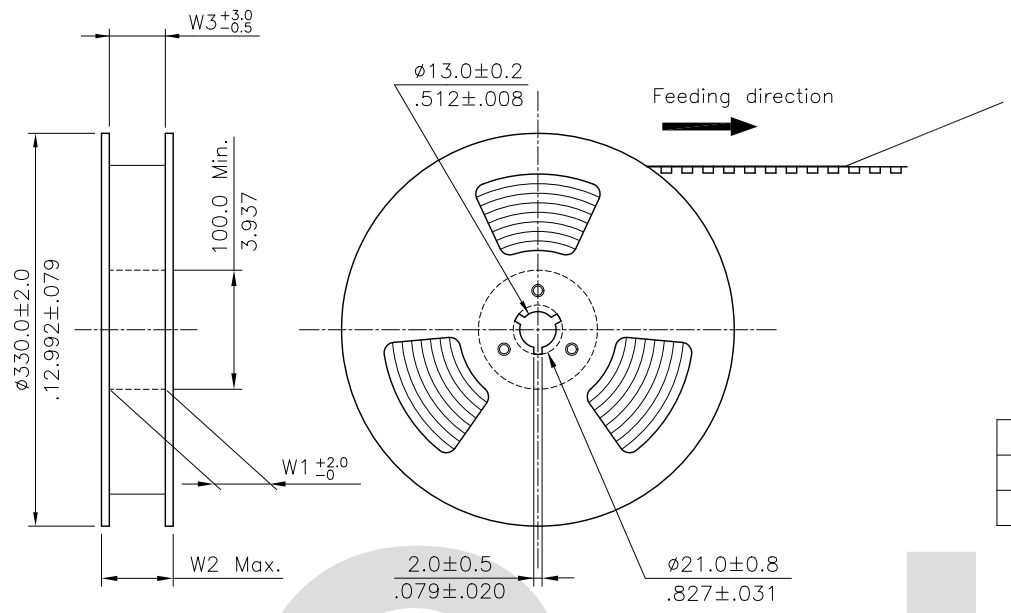
- ① Series No.
- ② P= Plug
- ③ Plating option:  
 A= Selective Gold flash plated over 1.27μ(50μ") Nickel  
 C= Selective 0.76μ(30μ") Gold plated over 1.27μ(50μ") Nickel
- ④ M= SMT Type
- ⑤ Insulator Color: 1= Black, 0= White
- ⑥ Option: 000= Tube Packing (Standard)  
 0R0= Tape & Reel Packing



Lead Free Process  
 RoHS Compliant

⑦	Sun	8/12-11'	ECR11040-1/ECN11179		DATE	UNIT: mm / inch	TITLE: USB TYPE A SMT TYPE BOARD MOUNT PLUG	瀚荃股份有限公司 CviLux Corporation				
⑥	Karen	11/20-10'	ECN10374	DRAWN BY: Sun	8/12-11'	TOLERANCE UNLESS OTHERWISE SPECIFIED	MATERIAL:				DRAWING NO.	CU0108SI
⑤	Sandy	4/29-07'	ECN07153	ENGINEER: Easley	8/16-11'	.X ± 0.30/.012 X' ± r'	FINISH:	SCALE	3 / 1	SHEET	1 OF 2	
④	Hank	11/8/06'	ECN06412	CHECKED BY: Easley	8/16-11'	.XX ± 0.20/.008 .X' ±						
SYM	NAME	DATE	REVISIONS	APPROVED BY: David	8/16-11'	.XXX ± 0.10/.004 .XX' ±						

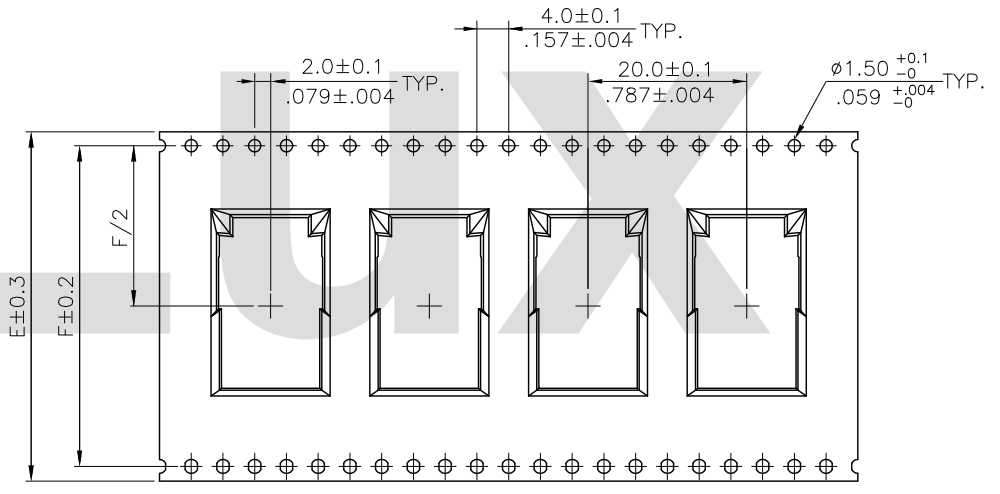
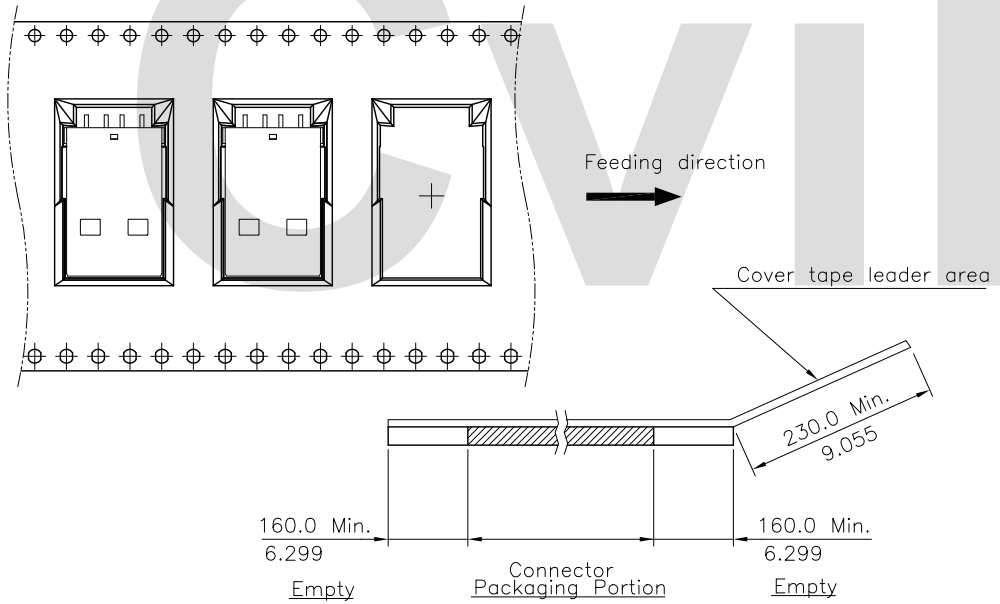
CVILUX CORP  
 2011.08.17  
 ISSUED



NOTE :

- \* Reel Material : Corrugated Paper
- \* Carrier Material : Black, Conductive Polystyrene Alloy
- \* Cover Tape Material : Polyester
- \* Cover Tape Peel Strength : 0.1N – 1.3N
- \* Carrier camber is within 1mm in 250mm
- \* All dimensions meet EIA-481-B requirements.
- \* Quantity : 500 PCS/Reel

Dimension					Packing (Reel/Caton)
E	F	W1	W2	W3	
44.0(1.732)	40.40(1.596)	44.5(1.752)	50.5(1.988)	44.5(1.752)	5



WIDTH : 44 mm Carrier

RoHS Compliant

7	Sun	8/12-11'	ECR11040-1/ECN11179	DATE	UNIT: mm / inch	TITLE: USB TYPE A SMT TYPE BOARD MOUNT PLUG	瀚荃股份有限公司 CviLux Corporation
6	Karen	11/20-10'	ECN10374	DRAWN BY: Sun	TOLERANCE UNLESS OTHERWISE SPECIFIED	MATERIAL:	
5	Sandy	4/29-07'	ECN07153	ENGINEER: Easley	.X ±      X' ± 1'	FINISH:	DRAWING NO. CU0108SI
4	Hank	11/8/06'	ECN06412	CHECKED BY: Easley	.XX ±     .X' ±		PART NO. CU01P**M*0*0
SYM	NAME	DATE	REVISIONS	APPROVED BY: David	.XXX ±    .XX' ±	SCALE	SHEET 2 OF 2

CIVILUX CORP  
 2011.08.17  
 ISSUED