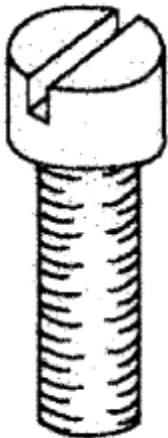
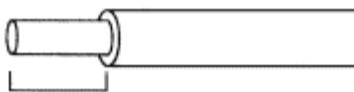


## M-UFB 2-PE ...



M 3



8

Protection for conductor pairs in floating circuits

(IEC)	rigid	flexible	
[mm <sup>2</sup> ]	solid	stranded	AWG
Connection data	0.2-4	0.2-2.5	24-12

Description	Nominal voltages $U_N^{1)}$	Type	Order No.	Pcs. Pkt.
<b>MCR-MINITRAB base element</b> , for mounting on 4 or 3				
for one plug		M-UFB R-1	27 63 37 4	1
for two plugs		M-UFB R-2	27 63 38 7	1
for four plugs		M-UFB R-4	27 63 39 0	1
for eight plugs		M-UFB R-8	27 63 40 0	1
<b>MCR-MINITRAB plug, for AC voltage</b>	12 V AC	M-UFB 2-PE 12 AC	27 63 33 2	1
	24 V AC	M-UFB 2-PE 24 AC	27 63 34 5	1
	48 V AC	M-UFB 2-PE 48 AC	27 63 35 8	1
	60 V AC	M-UFB 2-PE 60 AC	27 63 36 1	1
<b>MCR-MINITRAB plug, for DC voltage</b>	5 V DC	M-UFB 2-PE 5 DC	27 63 28 0	1
	12 V DC	M-UFB 2-PE 12 DC	27 63 29 3	1
	24 V DC	M-UFB 2-PE 24 DC	27 63 30 3	1

**Technical data**

Nominal voltage $U_N$ :	5 V DC	12-60 V AC/DC		
Nominal current $I_N$ :	250 mA/80 °C	250 mA/80 °C		
Nominal discharge surge current $i_{sn}$ (8/20):	2.5 kA	2.5 kA		
Output voltage threshold at 1 kV/ $\mu$ s:	normal/common $\leq 1.8 \hat{U}_{max} / \leq 450$ V	$\leq 1.8 \hat{U}_{max} / \leq 450$ V		
Response time $t_a$ :	normal/common $\leq 1$ ns/ $\leq 100$ ns	$\leq 1$ ns/ $\leq 100$ ns		
Resistance per path 1-3/2-4:	4.7 $\Omega$ /4.7 $\Omega$	4.7 $\Omega$ /4.7 $\Omega$		
Temperature range:	- 40 °C to + 80 °C	- 40 °C to + 80 °C		
Protection type acc. to IEC 529/ EN 60 529:	IP 20	IP 20		
Version:	5 V DC	12 V AC	12 V DC	24 V AC
Max. perm. operating voltage $U_{max}$ :	6 V DC	13 V AC	13 V DC	26 V AC
Operating currents $I_C$ with $U_{max}$ :	$\leq 1000 \mu$ A	$\leq 6 \mu$ A	$\leq 6 \mu$ A	$\leq 6 \mu$ A
Cut-off frequency $f_g$ (3 dB) in the 50 $\Omega$ system (typ.):	650 kHz	1.5 MHz	1.5 MHz	1.9 MHz

1) Conversion table (AC  $\rightarrow$  DC or DC  $\rightarrow$  AC), see [info](#).

Type	Dimension B [ mm ]
R-1	33.75
R-2	56.25
R-4	101.25
R-8	191.25

**Type of housing**

Polyamide PA non-reinforced, see [product-line info](#)

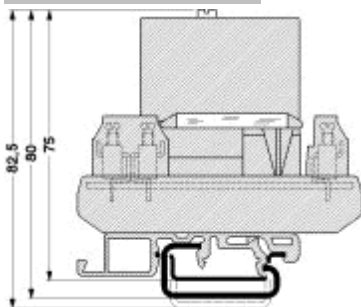
color: black

Torque value of terminals, see [product-line info](#)

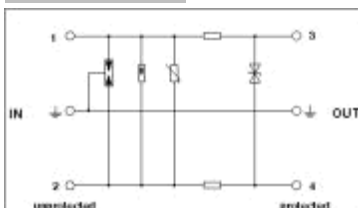
Marking systems and mounting material, see catalog part 3/4.

The rated cross section refers to untreated conductors without ferrules, see [product-line info](#)

**Dimensional drawing**



**Block diagram**



Courtesy of Steven Engineering, Inc. • 230 Ryan Way, South San Francisco, CA, 94080-6370 • Main Office: (650) 588-9200 • Outside Local Area: (800) 258-9200 • www.stevenengineering.com