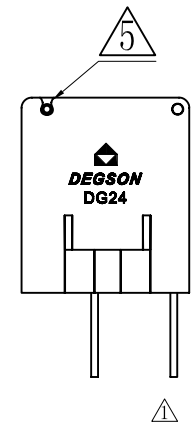
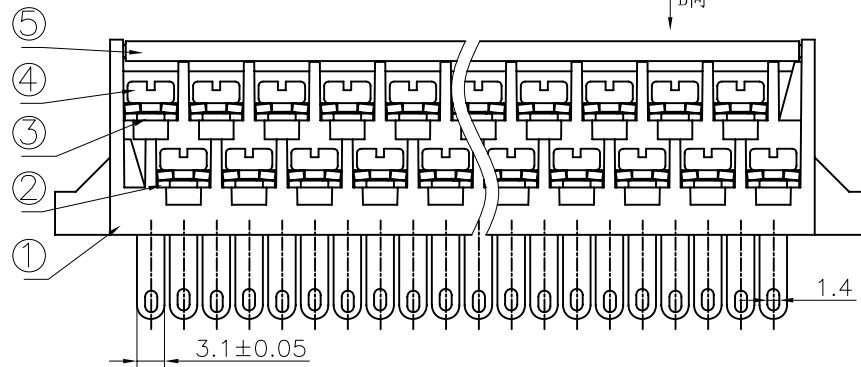
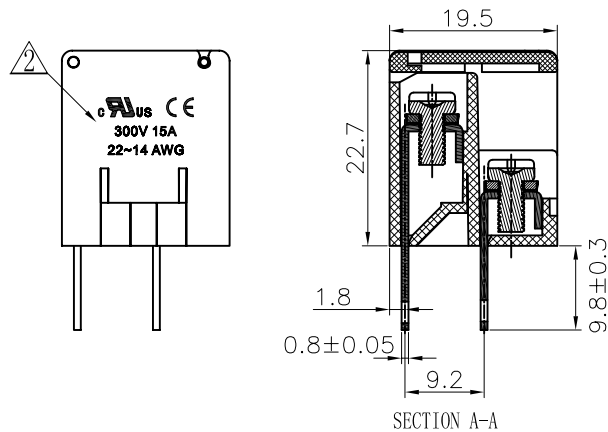
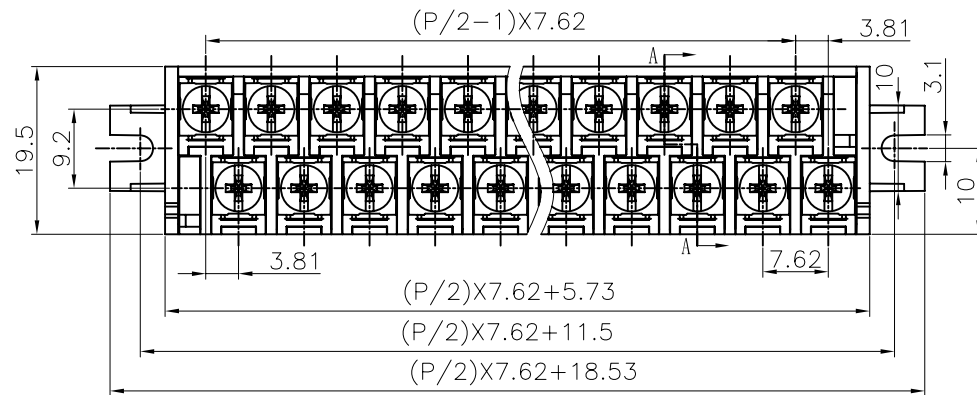
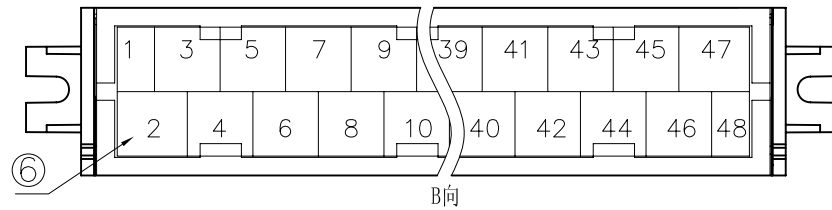


Notes:

1. Pitch: 7.62mm, Poles: 8P-48P (偶数P)
2. Rated voltage/current: UL 300V/15A
IEC 250V/17.5A
3. Operation temperatures: -40°C ~ +105°C
4. Withstanding Voltage: AC2000V/1Min
5. Insulation Resistance: 1000MΩ / DC500V
6. Wire Range: 22~14AWG, 1.5mm²
7. Max. Torque Value: M3, 5.1kgf.cm
8. Undimensioned Tolerances:

Pitch range in mm			Nominal dimension range in mm					I
to 6	over 6 to 10	over 10 to 24	to 30	over 30 to 60	over 60 to 100	over 100 to 150		
±0.10	±0.15	±0.25	±0.2	±0.3	±0.5	±0.7	±1.0	0.05/10

REVISION RECORD				
REV	ECO	DESCRIPTION	DRFT	DATE
△		Drawing revise	WF	12/30/06
△		增加UL刻字	CSX	03/28/07
△		品名、料号增加环保标识“(H)”	YeJ	12/08/07
△		更新图面	LJH	05/21/08
△	ECN09-004	修改图面	ZYH	07/15/09



6	DG24-Label	△ 5017TXX001 (H)	1	Paper	
5	DG24-1-00A Cover	△ 5017C07XXA (H)	1	PC	UL94V-2
4	M3*6 (6*6) Bright screws	S000000450 (H)	XX	Steel	Ni plated
3	DG24-2 Long Pin header	5018B00030 (H)	XX/2	Brass	SnCe plated
2	DG24-2 Short Pin header	5018B00040 (H)	XX/2	Brass	SnCe plated

1	DG24-2-00A Housing	5018M0YXXA (H)	1	PA66+23%GF	UL94V-0
ITEM	NAME OF PART	NO. OF PART	Q'TY	MATERIAL	NOTES
DETAILED LISTS	MM (INCH)	DFTO Zhuwm	DATE 11/14/05	宁波高正电子有限公司 DEGSON ELECTRONICS CO., LTD NAME: DG24-2-A-XXP-1Y-00A(H) DRAWING NO. DG24-2-E01 /PART NO. DO NOT SCALE DRAWING SHEET 1 OF 1	
	TOLERANCES EXCEPT AS NOTED	CHKD	DATE		
		MFO	DATE		
		APPVL	DATE		
	MM	±	MATERIAL :	G.E : FINISH : SCALE : 1:1	
	.0 ±	±			
	.00 ±	±			
	.000 ±	±			
	ANGLES ± 1'				
	THIRD ANGLE PROJECTION				