



# **E10-433MD-SMA User Manual**

**SI4463 433MHz 100mW DIP Wireless Module**



## 目录

1 Overview.....	2
1.1 Brief introduction.....	2
1.2 Feature.....	2
1.3 Application.....	2
2 Specification and parameter.....	3
2.1 Limit parameter.....	3
2.2 Operating parameter.....	3
3 Size and pin definition.....	4
4. Basic operation.....	5
4.1 Hardware design.....	5
4.2 Software editing.....	5
<b>5 Basic application.....</b>	<b>6</b>
5.1 Basic circuit diagram.....	6
6 FAQ.....	6
6.1 Communication range is too short.....	6
6.2 Module is easy to damage.....	7
6.3 BER(Bit Error Rate) is high.....	7
7 Production guidance.....	7
7.1 Reflow soldering temperature.....	7
7.2 Reflow soldering curve.....	8
8 E10 Series.....	8
9 Antenna guidance.....	9
9.1 Antenna recommendation.....	9
10 Package method for bulk order.....	10
Revision history.....	11
About us.....	11

# 1 Overview

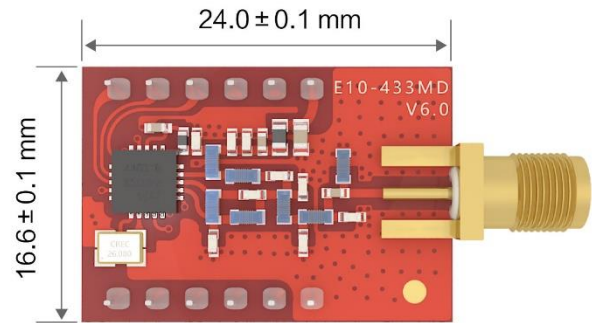
## 1.1 Brief introduction

E10-433MD-SMA is DIP wireless module working at 433MHz developed based on chip SI4463 from Silicon Labs.

Due to the use of the imported Si4463 as the core of the module, its stability has been well received by users, and compatibility is not a concern. The module is aimed at smart home, wireless meter reading, scientific research and medical, and medium and long distance wireless communication

equipment. Since RF performance and component selection are in accordance with industrial standards, and the product has obtained FCC, CE, RoHs and other international authoritative certification reports, users do not need to worry about its performance. With its stable and reliable characteristics, it is favored by the majority of users. Compared with the old products, it has made great progress in receiving current, receiving sensitivity, transmitting power, receiving rate range and anti-interference ability. High precision 26MHz crystal is used.

Since the module is a pure RF transceiver module, you need to use the MCU driver or a dedicated SPI debug tool.



## 1.2 Feature

- Communication distance tested is up to 2km
- Maximum transmission power of 100mW, software multi-level adjustable;
- Support the global license-free ISM 433MHz band;
- Support air data rate of 1.2kbps ~ 1000kbps;
- Support multiple modulation methods, (G)FSK, 4(G)FSK, (G)MSK, OOK ;
- Support 64/128 byte Transceiver Data Register (FIFO);
- Support 2.5V~3.6V power supply, power supply over 3.3 V can guarantee the best performance;
- Industrial grade standard design, support -40 ~ 85 °C for working over a long time;
- SMA connector, good for connecting external antenna.

## 1.3 Application

- Home security alarm and remote keyless entry;
- Smart home and industrial sensors;
- Wireless alarm security system;
- Building automation solutions;
- Wireless industrial-grade remote control;
- Health care products;
- Advanced Meter Reading Architecture(AMI);
- Automotive industry applications.

## 2 Specification and parameter

### 2.1 Limit parameter

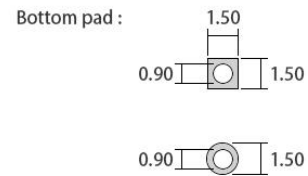
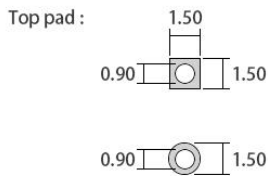
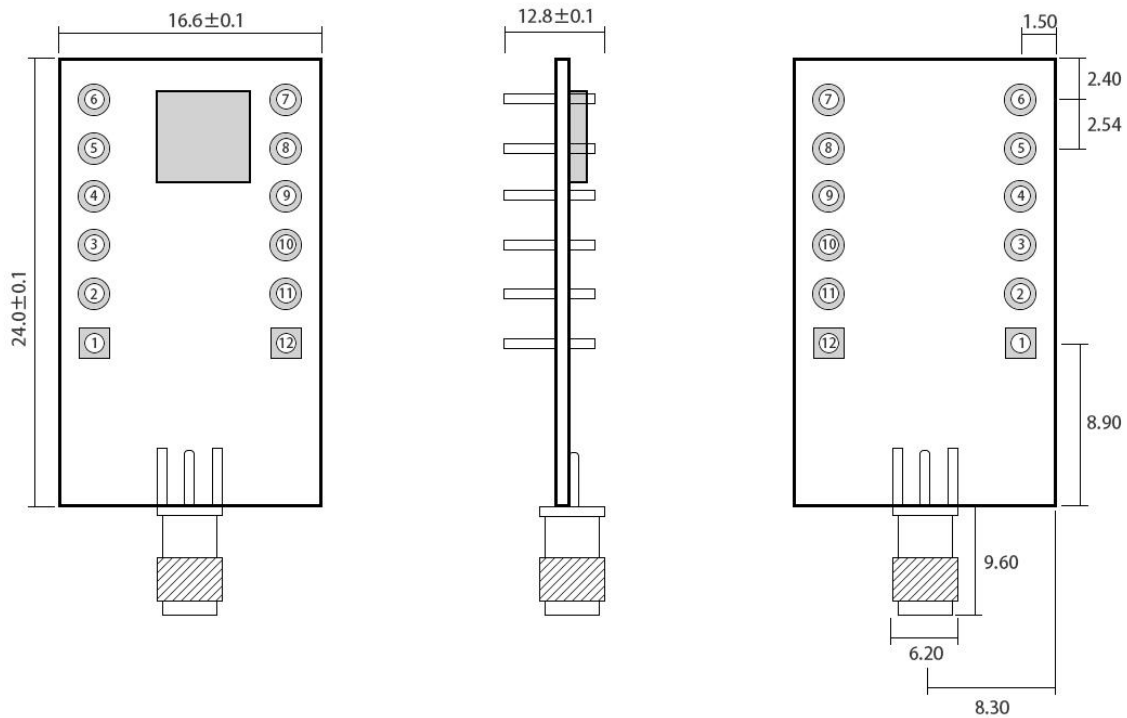
Main parameter	Performance		Remark
	Min.	Max.	
Power supply (V)	0	3.6	Voltage over 3.6V will cause permanent damage to module
Blocking power (dBm)	-	10	Chances of burn is slim when modules are used in short distance
Operating temperature (°C)	-40	85	-

### 2.2 Operating parameter

Main parameter	Performance			Remark
	Min.	Typ.	Max.	
Operating voltage (V)	1.8	3.3	3.6	≥3.3 V ensures output power
Communication level (V)	-	3.3	-	For 5V TTL, it may be at risk of burning down
Operating temperature (°C)	-40	-	85	Industrial design
Operating frequency (MHz)	425	433	525	Support ISM band
Power consumption	TX current (mA)	-	80	Instant power consumption
	RX current (mA)	-	13	-
	Sleep current (μA)	-	0.6	Software is shut down
Max Tx power (dBm)	19	20	21	-
Receiving sensitivity (dBm)	-124	-126	-128	Air data rate is 1kbps
Air data rate (bps)	0.123k	-	1M	Controlled via user's programming

Main parameter	Description	Remark
Distance for reference	2000m	Test condition: clear and open area, antenna gain: 5dBi, antenna height: 2.5m, air data rate: 1kbps
FIFO	64Byte	Max length transmitted each time
Crystal frequency	26MHz	-
Modulation	GFSK (recommended)	(G)FSK, 4(G)FSK, (G)MSK, OOK
Package	DIP	-
Connector	1.5mm	-
Communication interface	SPI	0-10Mbps
Size	16.6 *24mm	-
Antenna	SMA-K	50 ohm impedance

### 3 Size and pin definition



Pad quantity : 12  
Unit: mm

No.	Name	Direction	Function
1	GND	-	Ground
2	SDN	-	Shutdown Input Pin. It is low level when working (See SI4463 manual for more details)
3	GPIO3	output	GPIO (see more from SI4463 datasheet) •
4	GPIO2	output	GPIO (see more from SI4463 datasheet) •
5	nSEL	input	SPI Chip select for starting SPI communication
6	MOSI	input	SPI master output slave input
7	MISO	output	SPI master input slave output
8	SCK	input	Serial Clock Input
9	IRQ	output	SPI interrupt request
10	GPIO1	output	GPIO (see more from SI4463 datasheet) •
11	GPIO0	output	GPIO (see more from SI4463 datasheet) •
12	VCC	-	Power supply : 1.8~3.6 V DC, 3.3V is recommended

## 4. Basic operation

### 4.1 Hardware design

- It is recommended to use a DC stabilized power supply. The power supply ripple factor is as small as possible, and the module needs to be reliably grounded.;
- Please pay attention to the correct connection of the positive and negative poles of the power supply. Reverse connection may cause permanent damage to the module;
- Please check the power supply to ensure it is within the recommended voltage otherwise when it exceeds the maximum value the module will be permanently damaged;
- Please check the stability of the power supply, the voltage can not be fluctuated frequently ;
- When designing the power supply circuit for the module, it is often recommended to reserve more than 30% of the margin, so the whole machine is beneficial for long-term stable operation.;
- The module should be as far away as possible from the power supply, transformers, high-frequency wiring and other parts with large electromagnetic interference.;
- High-frequency digital routing, high-frequency analog routing, and power routing must be avoided under the module. If it is necessary to pass through the module, assume that the module is soldered to the Top Layer, and the copper is spread on the Top Layer of the module contact part(well grounded), it must be close to the digital part of the module and routed in the Bottom Layer;
- Assuming the module is soldered or placed over the Top Layer, it is wrong to randomly route over the Bottom Layer or other layers, which will affect the module's spurs and receiving sensitivity to varying degrees ;
- It is assumed that there are devices with large electromagnetic interference around the module that will greatly affect the performance. It is recommended to keep them away from the module according to the strength of the interference. If necessary, appropriate isolation and shielding can be done ;
- Assume that there are traces with large electromagnetic interference (high-frequency digital, high-frequency analog, power traces) around the module that will greatly affect the performance of the module. It is recommended to stay away from the module according to the strength of the interference.If necessary, appropriate isolation and shielding can be done.
- If the communication line uses a 5V level, a 1k-5.1k resistor must be connected in series (not recommended, there is still a risk of damage);
- Try to stay away from some physical layers such as TTL protocol at 2.4GHz , for example: USB3.0;
- The mounting structure of antenna has a great influence on the performance of the module. It is necessary to ensure that the antenna is exposed, preferably vertically upward. When the module is mounted inside the case, use a good antenna extension cable to extend the antenna to the outside ;
- The antenna must not be installed inside the metal case, which will cause the transmission distance to be greatly weakened.

### 4.2 Software editing

- GPIO0 \ GPIO1 \ GPIO2 \ GPIO3 are configurable I/O ports for various application , see more in SI4463 datasheet.It can be floated when not used.

- IRQ pin can also be disconnected. The SPI query mode can be used to obtain the interrupt status. However, it is recommended to use the external interrupt of the MCU.
- SPI communication rate should not be set too high, usually around 1Mbps.
- Please refer to “Operating Modes and Timing” for SI4463 status switch, the switch between TX and RX should be through Ready, can not be switched directly.
- Re-initialize register configuration when the chip is idle for higher stability.
- For controlling GPIO2 ,GPIO3 externally, pin status is as follows :

In tx mode: GPIO2 = 0; GPIO3 = 1;

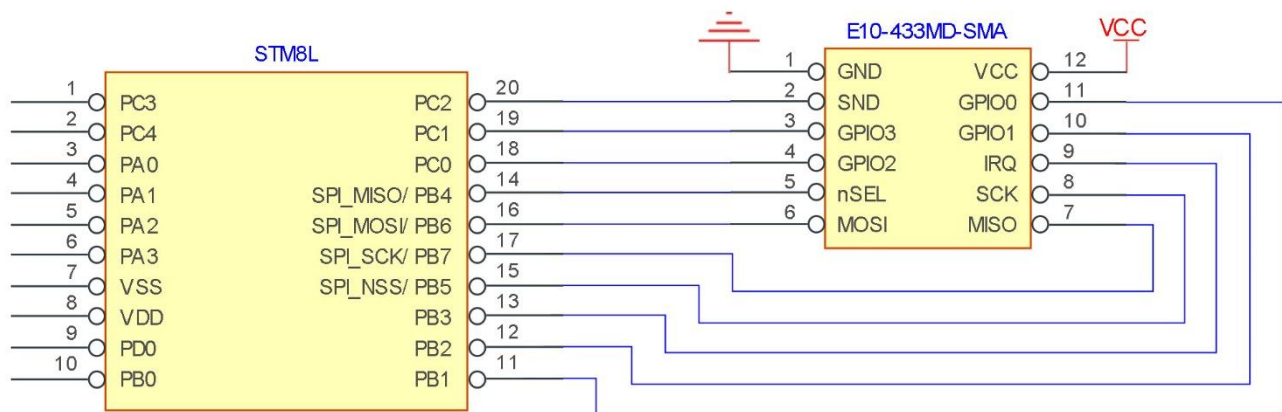
In rx mode: GPIO2 = 1; GPIO3 = 0;

If the SI4463 is required to control itself, the mode of the configuration pins can be as follows when the program is initialized:

```
SI44XX_GPIO_CONFIG( 0, 0, 32|0x40, 33|0x40, 0, 0, 0 );
```

## 5 Basic application

### 5.1 Basic circuit diagram



## 6 FAQ

### 6.1 Communication range is too short

- The communication distance will be affected when obstacle exists.
- Data lose rate will be affected by temperature, humidity and co-channel interference.
- The ground will absorb and reflect wireless radio wave, so the performance will be poor when testing near ground d.
- Sea water has great ability in absorbing wireless radio wave, so performance will be poor when testing near the sea.
- The signal will be affected when the antenna is near metal object or put in a metal case.
- Power register was set incorrectly, air data rate is set as too high (the higher the air data rate, the shorter the distance).

- The power supply low voltage under room temperature is lower than 2.5V, the lower the voltage, the lower the transmitting power.
- Due to antenna quality or poor matching between antenna and module.

## 6.2 Module is easy to damage

- Please check the power supply source, ensure it is 2.0V~3.6V, voltage higher than 3.6V will damage the module.
- Please check the stability of power source, the voltage cannot fluctuate too much.
- Please make sure antistatic measure are taken when installing and using, high frequency devices have electrostatic susceptibility.
- Please ensure the humidity is within limited range, some parts are sensitive to humidity.
- Please avoid using modules under too high or too low temperature.

## 6.3 BER(Bit Error Rate) is high

- There are co-channel signal interference nearby, please be away from interference sources or modify frequency and channel to avoid interference;
- Poor power supply may cause messy code. Make sure that the power supply is reliable.
- The extension line and feeder quality are poor or too long, so the bit error rate is high;

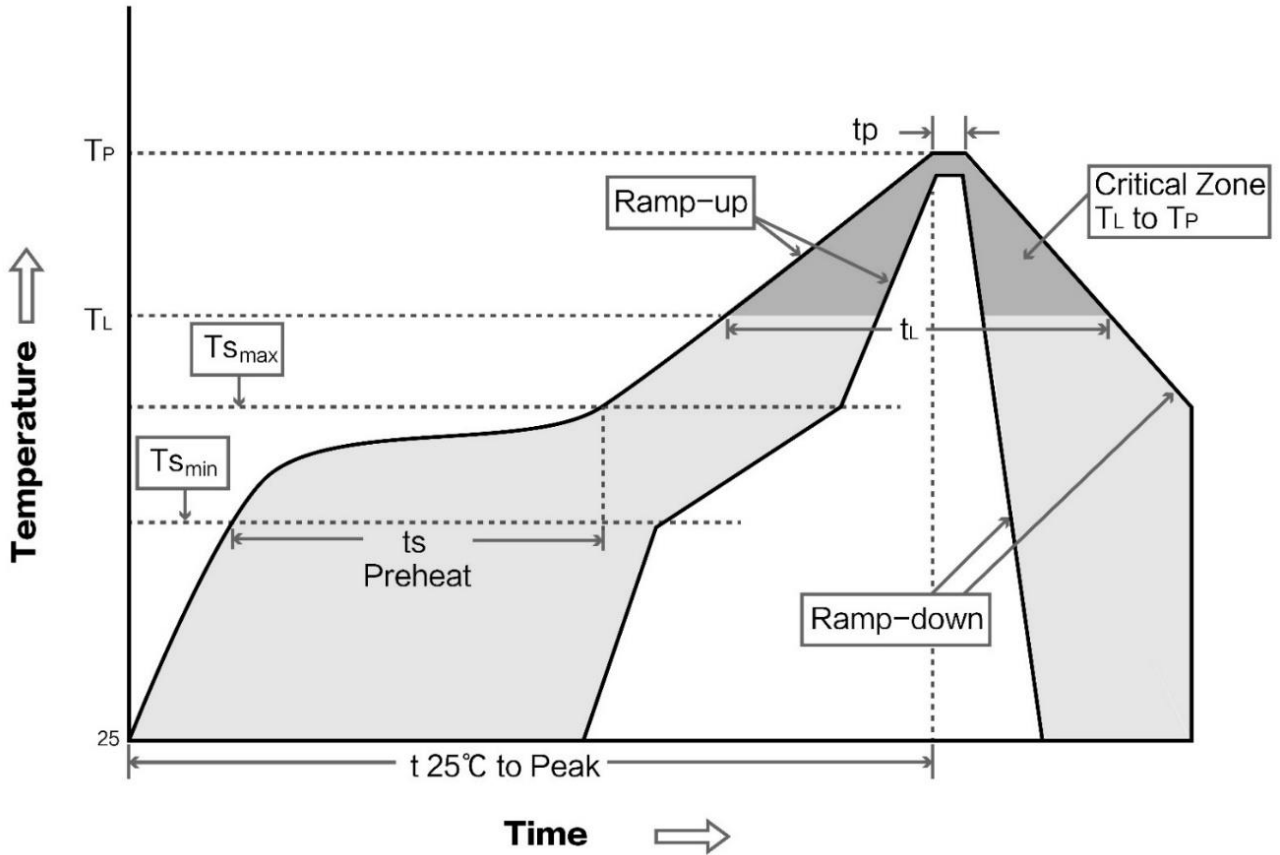
# 7 Production guidance

## 7.1 Reflow soldering temperature

Profile Feature	Curve characteristics	Sn-Pb Assembly	Pb-Free Assembly
Solder Paste	Solder paste	Sn63/Pb37	Sn96.5/Ag3/Cu0.5
Preheat Temperature min (T <sub>smin</sub> )	Min preheating temp.	100°C	150°C
Preheat temperature max (T <sub>smax</sub> )	Mx preheating temp.	150°C	200°C
Preheat Time (T <sub>smin</sub> to T <sub>smax</sub> )(ts)	Preheating time	60-120 sec	60-120 sec
Average ramp-up rate(T <sub>smax</sub> to T <sub>p</sub> )	Average ramp-up rate	3°C/second max	3°C/second max
Liquidous Temperature (TL)	Liquid phase temp.	183°C	217°C
Time (tL) Maintained Above (TL)	Time below liquid phase line	60-90 sec	30-90 sec
Peak temperature (T <sub>p</sub> )	Peak temp.	220-235°C	230-250°C
Average ramp-down rate (T <sub>p</sub> to T <sub>smax</sub> )	Average ramp-down rate	6°C/second max	6°C/second max
Time 25°C to peak temperature	Time to peak temperature for 25°C	max 6 minutes	max 8 minutes



## 7.2 Reflow soldering curve



## 8 E10 Series

Model No.	IC	Frequency (Hz)	Tx power (dBm)	Test distance km	Package	Antenna
<a href="#">E10-868MS30</a>	SI4463	868M	30	6	SMD	Stamp hole/IPEX
<a href="#">E10-915MS20</a>	SI4463	915M	20	2.5	SMD	Stamp hole/IPEX
<a href="#">E10-868MS20</a>	SI4463	868M	20	2.5	SMD	Stamp hole/IPEX
<a href="#">E10-433MS1W</a>	SI4463	433M	30	6	SMD	Stamp hole
<a href="#">E10-433MD3</a>	SI4438	433M	20	2	SMD	IPEX
<a href="#">E10-433MD-SMA</a>	SI4463	433M	20	2	DIP	SMA-K
<a href="#">E10-433MS</a>	SI4463	433M	20	2	SMD	Stamp hole

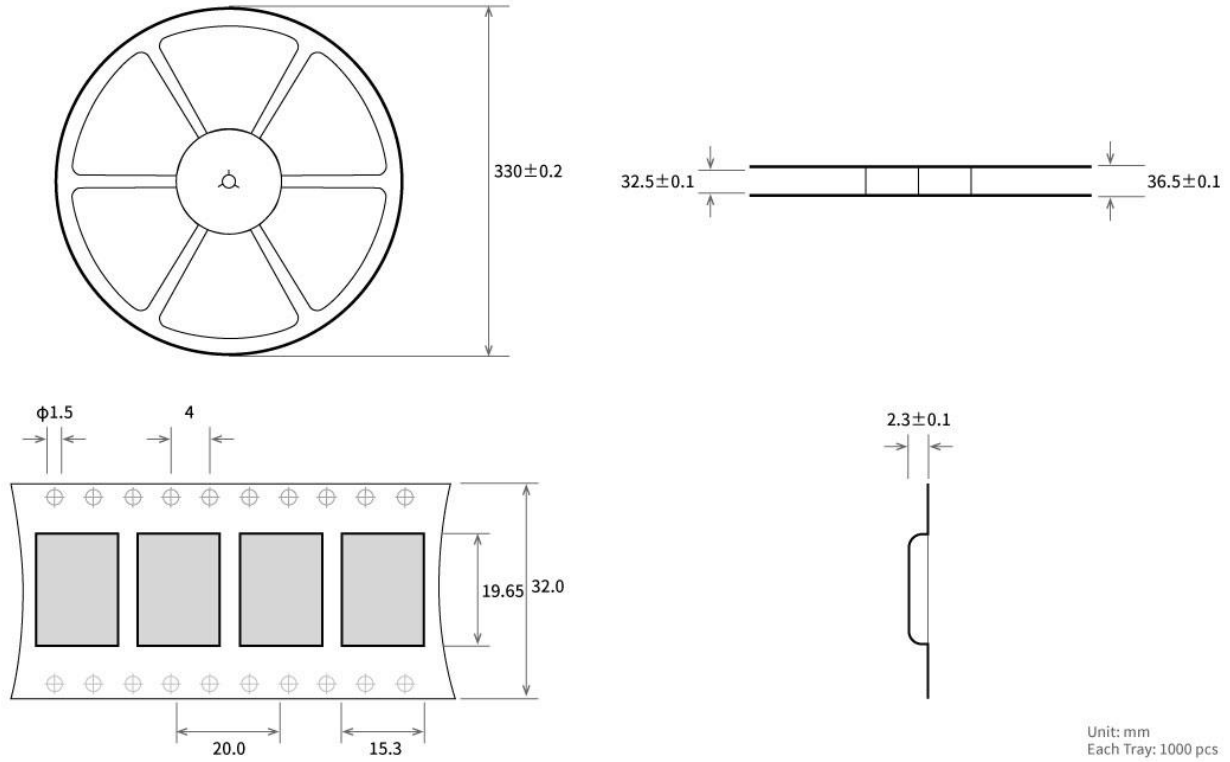
## 9 Antenna guidance

### 9.1 Antenna recommendation

The antenna is an important role in the communication process. A good antenna can largely improve the communication system. Therefore, we recommend some antennas for wireless modules with excellent performance and reasonable price.

Model No.	Type	Frequency Hz	Interface	Gain dBi	Height	Cable	Function feature
TX433-NP-4310	PCB	433M	SMA-J	2	43.8*9.5mm	-	Built-in FPC antenna
TX433-JW-5	Rubber	433M	SMA-J	2	50mm	-	Flexible & omnidirectional
TX433-JWG-7	Rubber	433M	SMA-J	2.5	75mm	-	Flexible & omnidirectional
TX433-JK-20	Rubber	433M	SMA-J	3	210mm	-	Flexible & omnidirectional
TX433-JK-11	Rubber	433M	SMA-J	2.5	110mm	-	Flexible & omnidirectional
TX433-XP-200	Sucker	433M	SMA-J	4	19cm	200cm	Sucker antenna, High gain
TX433-XP-100	Sucker	433M	SMA-J	3.5	18.5cm	100cm	Sucker antenna, High gain
TX433-XP-300	Sucker	433M	SMA-J	6	96.5cm	300cm	Big sucker antenna, ultra high gain
TX433-JZG-6	Rubber	433M	SMA-J	2.5	52mm	-	Short straight & omnidirectional
TX433-JZ-5	Rubber	433M	SMA-J	2	52mm	-	Short straight & omnidirectional

## 10 Package method for bulk order



## Revision history

Version	Date	Description	Issued by
1.00	2017/10/16	Initial version	huaa
1.10	2018/5/23	Content updated	huaa
1.20	2018/9/19	Model No. split	Huaa

## About us

Technical support: [support@cdebyte.com](mailto:support@cdebyte.com)

Documents and RF Setting download link: [www.ebyte.com](http://www.ebyte.com)

Thank you for using Ebyte products! Please contact us with any questions or suggestions: [info@cdebyte.com](mailto:info@cdebyte.com)

-----  
Fax: 028-64146160 ext. 821

Web: [www.ebyte.com](http://www.ebyte.com)

Address: Innovation Center B333-D347, 4# XI-XIN Road, Chengdu, Sichuan, China

 **Chengdu Ebyte Electronic Technology Co.,Ltd.**