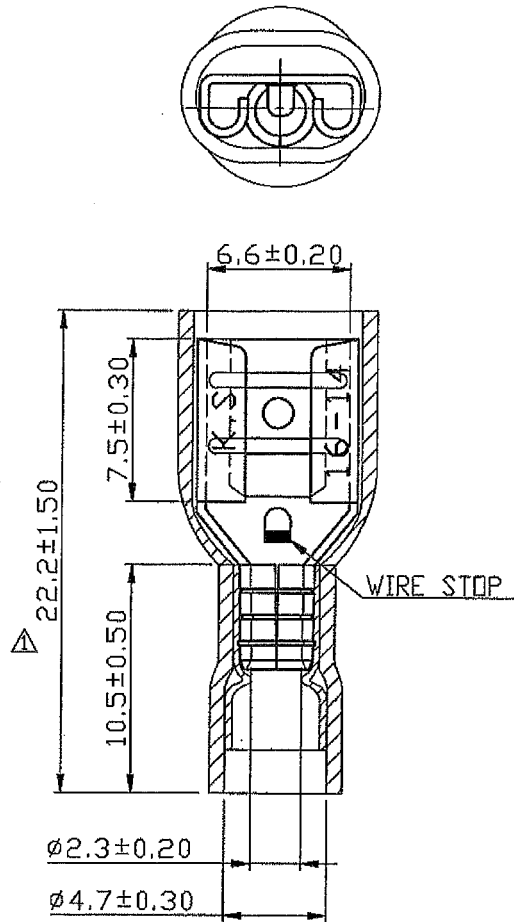


REVISIONS			
REV	DESCRIPTION	DATE	BY



MAXIMUM ELECTRIC CURRENT:


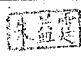
A.W.G	16	14	
AMP.	10	15	

MAXIMUM ELECTRICAL RATING: 105°C 600 VOLTS MAX.

康揚符合歐盟ROHS規範 (K.Y. Accord EU RoHS Compliant)	
★鉛Pb	<1000PPM
★鎘Cd	< 100PPM
★汞Hg	<1000PPM
★六價鉻Cr6+	<1000PPM
★多溴聯苯類PBBs	<1000PPM
★多溴聯苯醚類PBDEs	<1000PPM
★有鹵料件 Halogen-containing Product	

NEMA TAB	TERMINAL THICKNESS	UNIT
0.8X6.35	0.4	mm



 <p>康揚企業股份有限公司 KANG YANG HARDWARE ENTERPRISE CO., LTD. 康揚塑膠(東莞)有限公司 KANG YANG PLASTIC(DONG GUAN) CO.,LTD. 康哲電腦配件(吳江)有限公司 KANG CHE COMPUTER COMPONENTS(WUJIANG) CO.,LTD.</p>	TITLE VINYL-FULLY INSULATED DOUBLE CRIMP FEMALE DISCONNECTORS		SPEC. DWG.	
	TERMINAL MAT'L BRASS WITH TIN PLATED		DATE	2003.07.30
	INSULATION MAT'L VINYL		DRAWN	FU
	COLOR BLUE		CHECK	
PART NUMBER FDFD2-250		DRAWING NUMBER FDFD2-250		UNLESS OTHERWISE SPECIFIED TOLERANCE ±0.2
SIZE A4	SCALE NONE	UNIT mm	REV A	APPROVED 