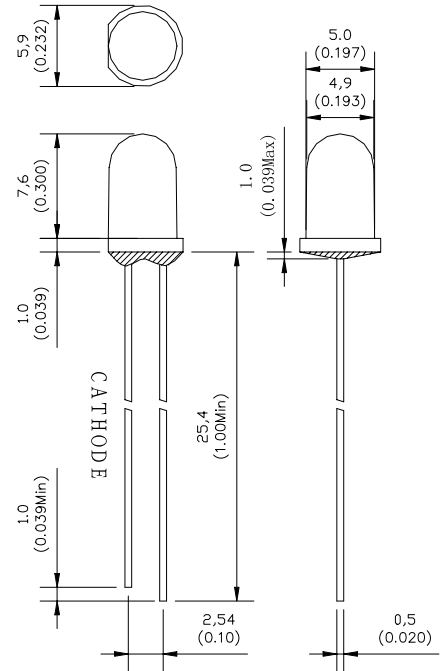


GNL-5013xx (Φ 5mm ROUND TYPE) Ultra Brightness

ABSOLUTE MAXIMUM RATING:(Ta=25°C)

Parameter			Unit
DC Forward Current	30		mA
Reverse Voltage	5		V
Reverse Current (Vr=5V)	10		μA
Peak Forward Current ,tw ,=1 msec Duty ,=1/20	150		mA
Operation Temperature	-40	+80	°C
Storage Temperature	-40	+100	°C
Solder Dip (5 seconds, 1.6mm from body) Temperature	300	±5	°C



Part Number	EMITTED COLOR		Lens Color	Peak Wavelength (nm)	Vf (v) Typ.	IV (If=20mA) mcd		View Angle 2θ 1/2
						Min.	Typ.	
GNL-5013UED-TL	AlGaInP	Super Orange Red	Red Diffused	625	2.0	3800	4500	60°
GNL-5013UYD-TL	AlGaInP	Super Yellow	Yellow Diffused	592	2.0	5000	6000	60°
GNL-5013UBD-TL	InGaN	Super Blue	Bule Diffused	470	3.5	6000	7000	60°
GNL-5013BGD-TL	InGaN	Super Bluish Green	Bule Diffused	505	3.5	10000	12000	60°
GNL-5013PGD-TL	InGaN	Super Pure Green	Green Diffused	525	3.5	15000	20000	60°