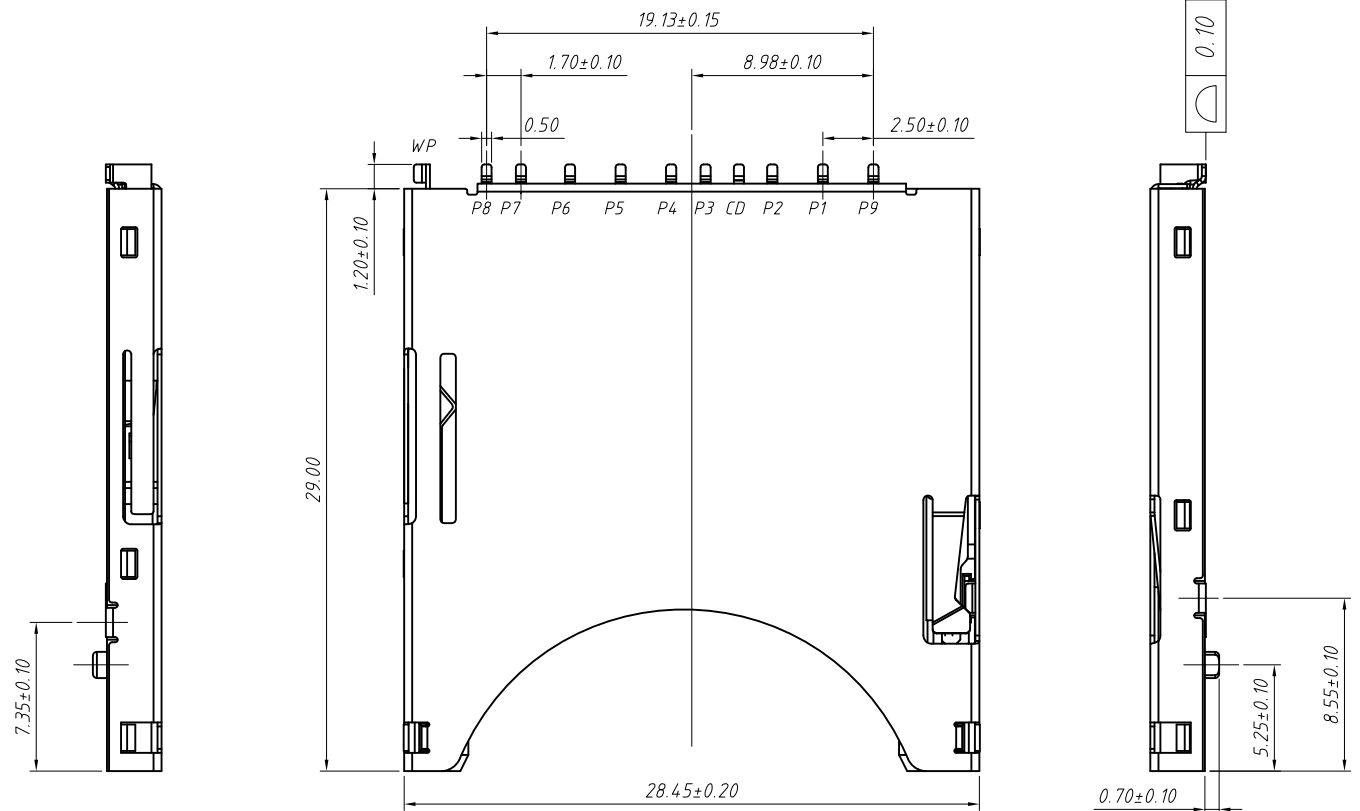


PIN NO.		SD	MMC
P1	MMC-DAT,SD-DAT3	1 P	1 P
P2	MMC-CMD,SD-CMD	2 P	2 P
P3	MMC-VSS1,SD-VSS1	3 P	3 P
P4	MMC-VDD,SD-VDD	4 P	4 P
P5	MMC-CLK,SD-CLK	5 P	5 P
P6	MMC-VSS2,SD-VSS2	6 P	6 P
P7	MMC-ADT,SD-DAT0	7 P	7 P
P8	SD-DAT1	8 P	
P9	SD-DAT2	9 P	



Material:

Insulator:High Temperature Thermoplastic,UL 94 V-0.

Contact:Copper Alloys.Plated 50u" Ni Overall Plated Au Selective

Contact Area,Plated 100u" Sn Over Ni On Solder Area.

Shell:Plated 50u" Ni Overall.

Electrical:

Voltage Rating:125V AC/DC

Current Rating:0.5mA AC/DC Max.

Ambient Temperature Range:-20°C ~ +60°C

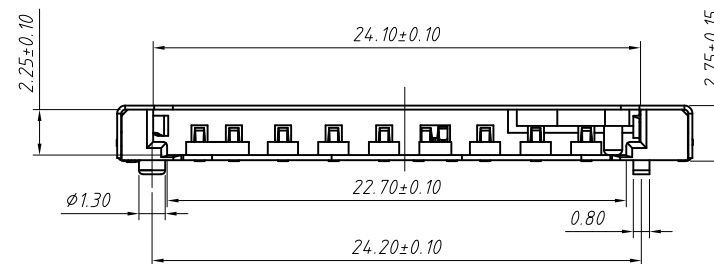
Storage Temperature Range:-40°C ~ +70°C


Ambient Humidity Range:95% R.H. Max.

Contact Resistance:100mΩ Max.

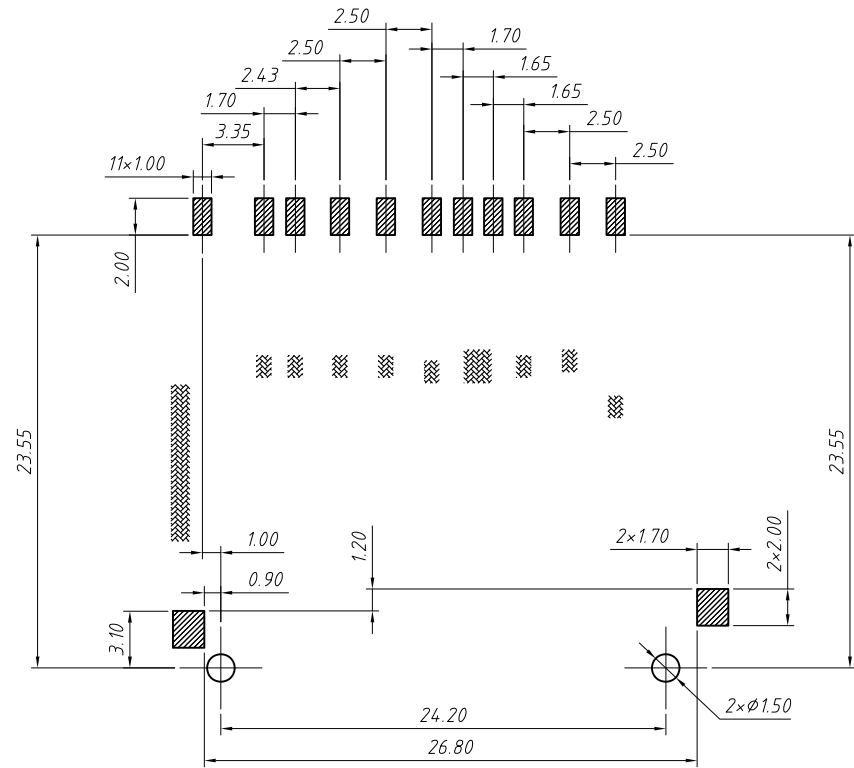
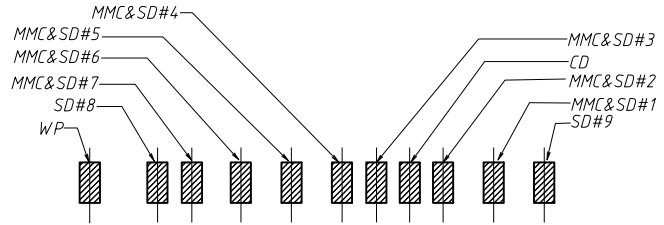
Insulation Resistance:1000MΩ Min./500V DC

Mating Cycles:10000 Insertions.



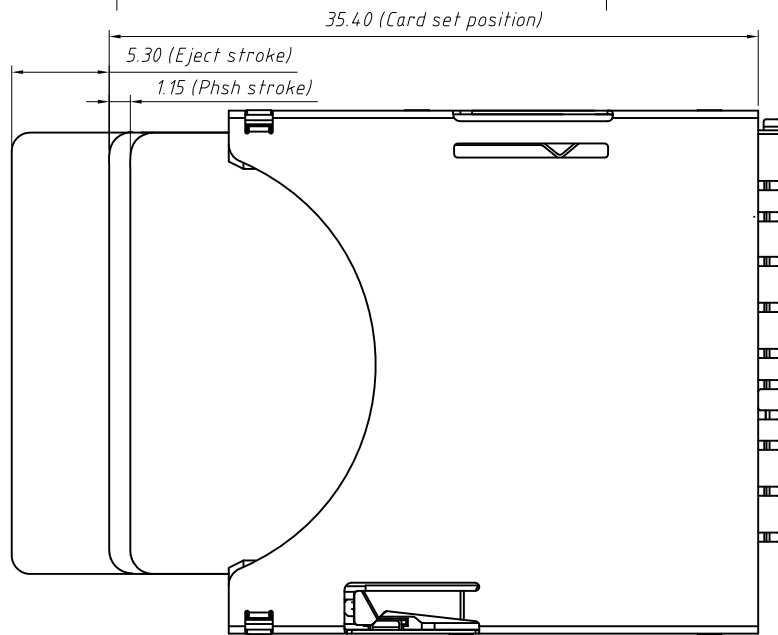
GENERAL TOLERANCE		ANGLE TOLERANCE		PROJECTION		Description:	
.X	±0.15	.X	±5°	UNITS	mm	SD Card CONN,PUSH/PUSH, H2.80mm,SMD with CD Pin L-KLS1-SD-001	
.X	±0.03	.X	±3°	SHEET SIZE	A4		
.XX	±0.05	.XX	±2°	KLS P/N:			
Draw by:	Jenny	Date:	2018-03-10	 NingBo KLS ELECTRONIC CO.,L TD.			
Check by:		Date:	2018-03-10				
SCALE		SHEET	1	OF	1		

PIN ASSIGNMENT:



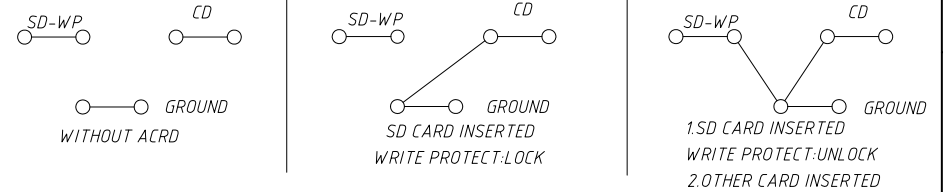
Welding area

Prohibited layout area



View of inserted card

CIRCUIT



GENERAL TOLERANCE	ANGLE TOLERANCE	PROJECTION		SD Card CONN,PUSH/PUSH, H2.80mm,SMD with CD Pin
X ±0.15	X ±5°	UNITS		
.X ±0.03	.X ±3°	SHEET SIZE	A4	L-KLS1-SD-001
.XX ±0.05	.XX ±2°	KLS P/N:		
Draw by: Jenny	Date: 2018-03-10	NingBo KLS ELECTRONIC CO.,LTD.		
Check by:	Date: 2018-03-10			
SCALE	SHEET 1 OF 1			