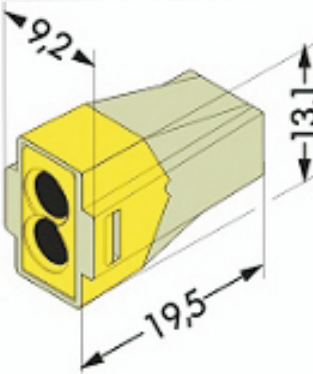
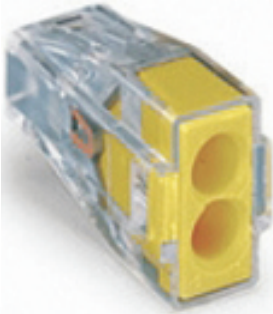



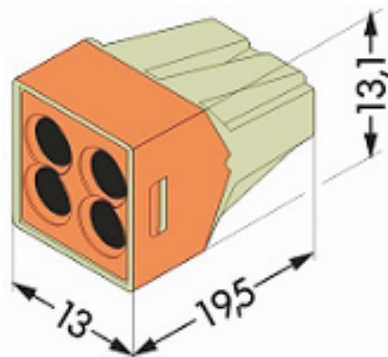
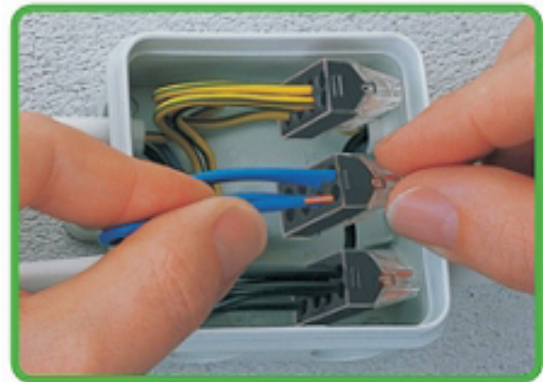
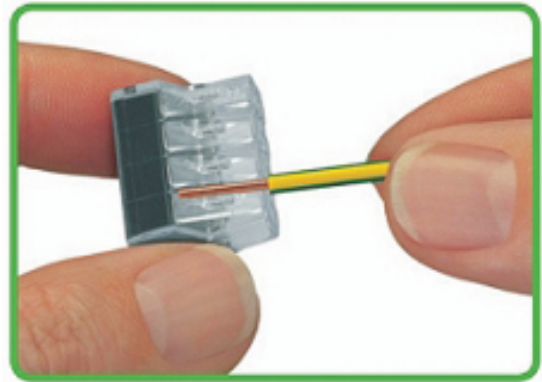
TERMINAL BLOCK Connector


Push wire Connector for Junction Box

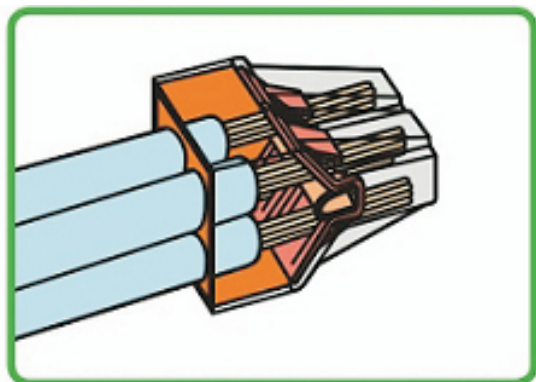
KLS2-207 Spring Terminal Block



2x0.75-2.5mm ² s"	2xAWG 18-12"sol."
2x1.5-2.5mm ² r"	2xAWG 16-12"str."(≤19)
400V/4kV/2'	600V
24A	1000V signs & fixtures
Max.op.temp.105°C	
 12mm	
Item No.	Pack.-unit Pcs
Push Wire connectors for junction boxes,	
2-conductor connectors,color of housing transparent	
color of cover green	
8=Yellow.	
KLS2-207-02P-8	



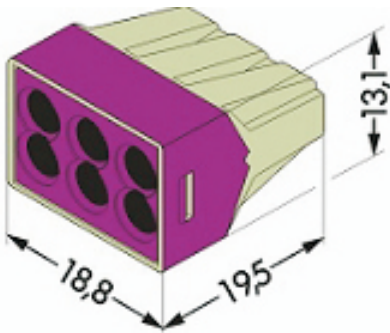
4x0.75-2.5mm ² s"	4xAWG 18-12"sol."
4x1.5-2.5mm ² r"	4xAWG 16-12"str."(≤19)
400V/4kV/2'	600V
24A	1000V signs & fixtures
Max.op.temp.105°C	
 12mm	
Item No.	Pack.-unit Pcs
Push Wire connectors for junction boxes,	
4-conductor connectors,color of housing transparent	
color of cover green	
5=Orange.	
KLS2-207-04P-5	




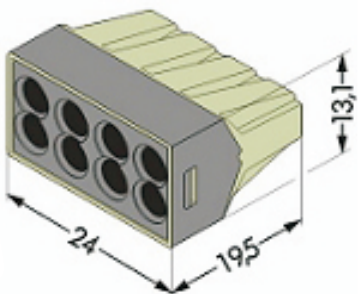
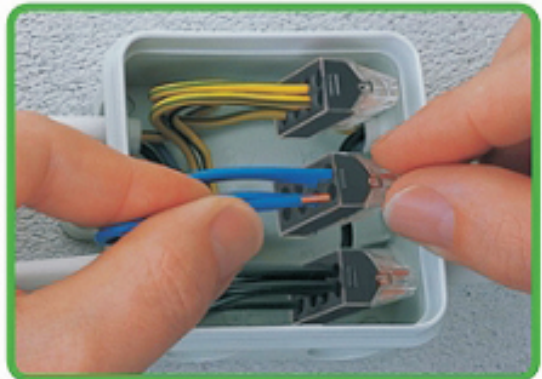
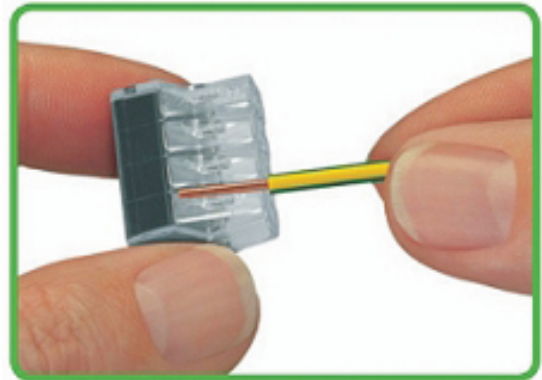
TERMINAL BLOCK Connector


Push wire Connector for Junction Box

KLS2-207 Spring Terminal Block



6x0.75-2.5mm ² "s"	6xAWG 18-12"sol."
6x1.5-2.5mm ² "r"	6xAWG 16-12"str."(≤19)
400V/4kV/2'	600V
24A	1000V signs & fixtures
Max.op.temp.105°C	
 12mm	
Item No.	Pack-unit Pcs
Push Wire connectors for junction boxes,	
6-conductor connectors,color of housing transparent	
color of cover green	
10=Purple.	
KLS2-207-06P-10	



8x0.75-2.5mm ² "s"	8xAWG18-12"sol."
8x1.5-2.5mm ² "r"	8xAWG16-12"str."(≤19)
400V/4kV/2'	600V
24A	1000Vsigns & fixtures
Max.op.temp.105°C	
 12mm	
Item No.	Pack-unit Pcs
Push Wire connectors for junction boxes,	
8-conductor connectors,color of housing transparent	
color of cover green	
1=Gray.	
KLS2-207-08P-1	

