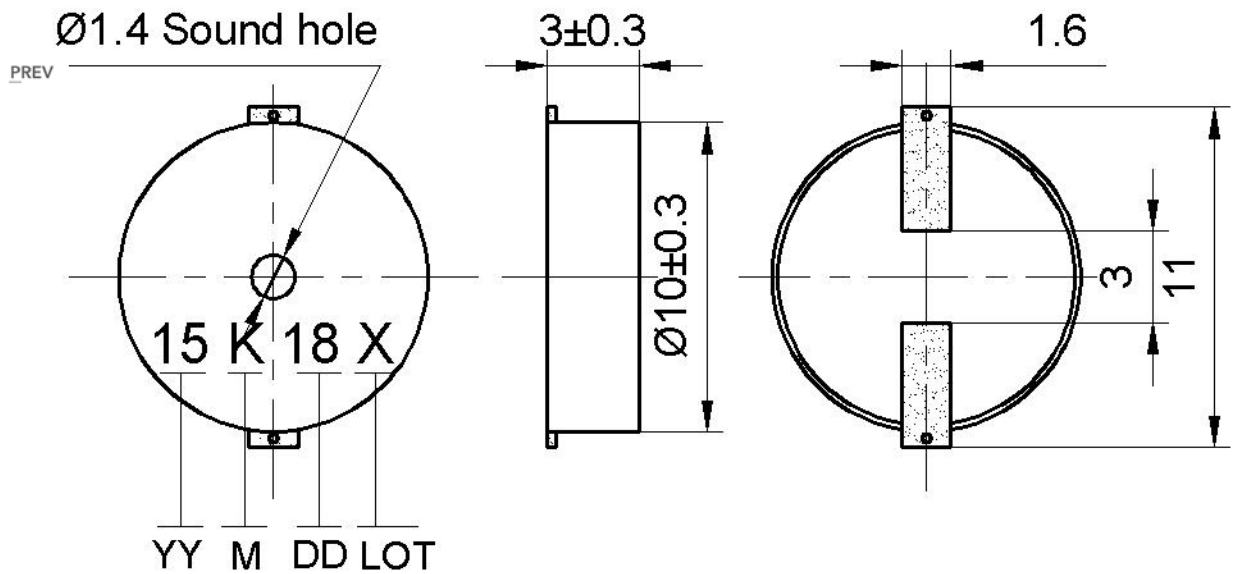
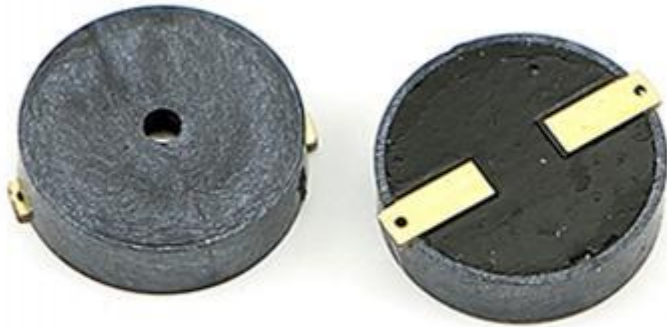




Your Best Electronic Components Sourcing!



Rated Voltage:	5Vp-p
Operating Voltage:	1-25Vp-p
Rated Current :	5mA Max.
S.P.L.(@10cm):	70dB Min.
Resonance Frequency :	5.2±0.5KHz
Capacitance at 100Hz:	10000±30%pF at 1V
Operating Temp:	-30~+85°C
Weight:	0.25g