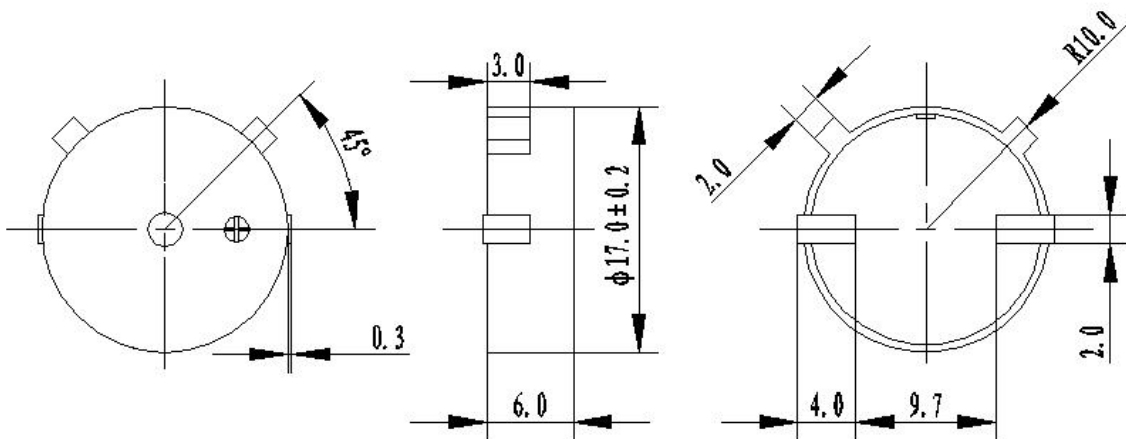




Your Best Electronic Components Sourcing!



Rated Voltage:	12Vp-p
Operating Voltage:	1~30Vp-p
Max.Rated Current:	12mA
Min.S.P.L.(@10cm):	90dB MIN. at Rated Voltage at 10cm
Resonant Frequency:	4.0±0.5KHz
Capacitance at 1000Hz:	15000±30%pF
Operating Temp:	-30~+85°C
Weight :	2g