

# Potentiometer

## Cermet Potentiometer Series

### KLS4-3006 Cermet Potentiometer Series

#### Electrical Characteristics

Standard Resistance Range: 10Ω~ 2MΩ  
Resistance Tolerance: ±10%  
Terminal Resistance: ≤2Ω Max  
Contact resistance variation: CRV ≤3% R or 3Ω Max  
Insulation Resistance:  $R_i \geq 1G\Omega$   
Withstand Voltage: 101.3kPa 600V, 8.5kPa 350V  
Wiper Current Max: 100mA  
Electrical Travel: 22±2 turns nom

#### Environment Characteristics

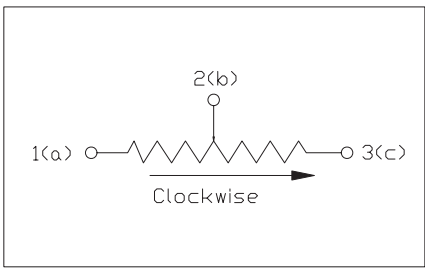
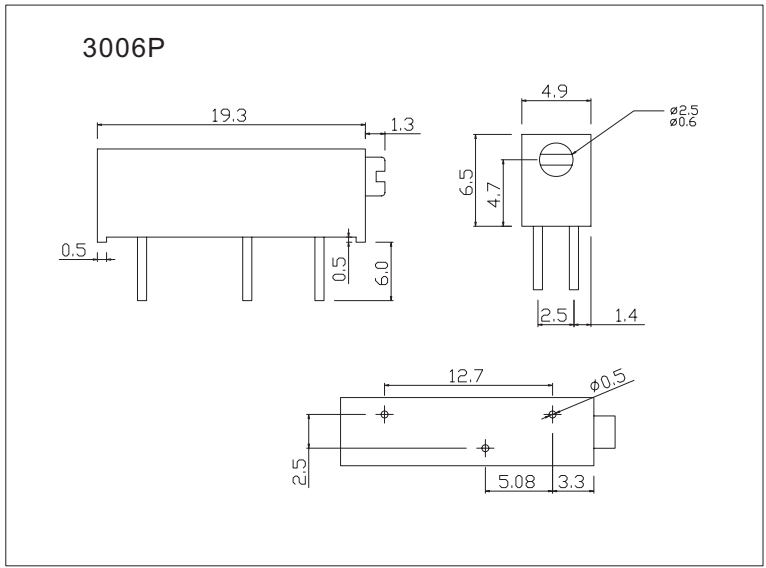
Power Rating (315 volts max.): +70°C 0.75W, +125°C 0W  
Temperature Range: -55°C ~ +125°C  
Temperature Coefficient: ±250ppm/°C; ±100ppm/°C  
Temperature Variation:  $\Delta R \leq \pm 1\% R, \Delta(Uab / UAC) \leq \pm 1\%$   
Vibration: 390m/s<sup>2</sup>, 4000 times  $\Delta R \leq \pm 1\% R$   
Collision: 10 ~ 500Hz, 0.75mm, or 98m/s<sup>2</sup>, 6h,  $\Delta R \leq \pm 1\% R$   
Climate Category:  $\Delta R \leq \pm 3\% R, R_i \geq 100M\Omega$   
Electrical Endurance at 70°C: 0.75W, 1000h,  $\Delta R \leq \pm 3\% R$   
Mechanical Endurance: 200cycles,  $\Delta R \leq \pm 3\% R$   
Steady Damp-Heat:  $\Delta R \leq \pm 3\% R, R_i \geq 100M\Omega$

#### Physical Characteristics

Total mechanical travel: 22±2 turns nom  
Starting torque: ≤35mN.m  
Standard packaging: 25pcs/tube



Resistance (Ω)	Code
10	100
20	200
50	500
100	101
200	201
500	501
1000	102
2000	202
10000	103
20000	203
50000	503
100000	104
200000	204
500000	504
1000000	105
2000000	205



## ORDER INFORMATION

Product NO.: KLS4-3006 P-103

