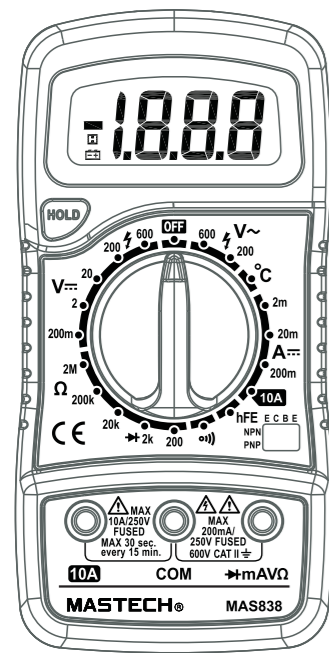


Digital Multimeter Instruction Manual



MASTECH®

Introduction

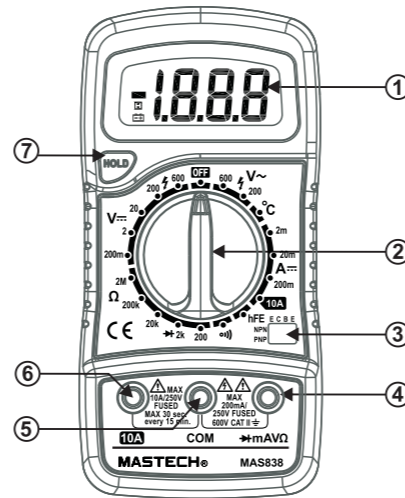
The instrument of this series is a small hand-held 3 1/2 digital multimeter. Stable, highly reliable and anti-drop performance. It is provided with a LCD display of 15 mm height for clear reading. The circuit design takes LSI double integral A/D converter as its core under the protection of an overload protection circuit, making it a superior and handy instrument. It can be used to measure DC and AC voltage, DC current, transistors, resistance, temperature, diodes and for-in-circuit continuity test.

Measurement features of the types of this series:

Features		MAS838
Alternating Voltage measurement	V~	●
Direct Voltage measurement	V=	●
Direct current measurement	A=	●
Resistance measurement	Ω	●
Diode measurement	→	●
On-off measurement	o	●
Temperature measurement	°C	●
Data hold		●
transistors measurement		●

MASTECH®

FRONT PANEL



- 1. Display**
3 1/2 digital LCD display.
- 2. Function and range switch**
Select different functions and range.
- 3. Transistor socket**
- 4. VΩmA Jack**
- 5. COM Jack**
- 6. 10A Jack**
- 7. Data hold button**
Press the HOLD button. The LCD will hold the last reading measured and display the symbol. When the button is released, the instrument will return to normal.

MASTECH®

Safety Information

MAS838 Digital Multimeter is designed based on IEC 61010, 600V CAT II and pollution degree 2.

Warning
The special attention should be paid when using the meter because the improper usage may cause electric shock and damage the meter. The safety measures in common safety regulations and operating instruction should be complied with when using. In order to make fully use of its functions and ensure safe operations please comply with the usage in this section carefully.

Safety Signs

	Important safety information. Read the manual.
	High voltage with danger.
	Ground.
	Double Insulation (Class II safety equipment).
	Fuse must be replaced as per the specification herein.
	Accord with the related EU laws and regulations
	AC (Alternating Current)
	AC (Alternating Current)

Notices

- The instrument can only be used in conjunction with the probe for the compliance with safety standards. If the probe needs replacing due to damage, the replacement must be of the same type or the same electrical specifications.
- Do not exceed the input limits specified for each range.
- When the instrument is measuring, do not touch the input terminal not in use.

MASTECH®

- When a measurement range is uncertain, turn the function/range switch to the maximum range position.
 - Before turning the function/range switch, make sure the probe is open with the circuit being measured.
 - Before on-line resistance measurement, turn off all power and discharge all capacitors.
 - Be careful when taking measurement of voltage higher than 60V DC/30V AC. Remember to keep your fingers behind the hand shield of the probe.
 - When measuring a TV set or switch power supply, watch for pulse in the circuit that may damage the multimeter.
 - Measure known voltage with the meter to verify that the meter is working properly. If the meter is working abnormally, stop using it immediately. A protective device may be damaged. If there is any doubt, please have the meter inspected by a qualified technician.
 - Before taking the measurement of voltage with the probe, make sure there is no electronic element connected to the test socket of the transistor.
 - Before measuring any transistor, make sure the probe is not connected to any circuit being measured.
- ### Maintenance
- Before removing the rear cover, disconnect the probe from the circuit to be measured.
 - To protect the internal circuit, replace the fuse with one of the same specification:
F1:F 250mA / 250V ; F2:F 10A / 250V
 - Don't use the instrument until the rear cover is placed back and the screws are tightened.
 - Clean the housing of instrument only with a wet rag dripped with little detergent but never chemical solution.
 - In case of any abnormality, stop using it and sent it for maintenance.

MASTECH®

Accuracy Indicators

Accuracy: ±(% of reading + digits) with one year of warranty. Reference conditions: environmental temperature is from 18°C~28°C, relative humidity is not more than 80%.

General features:

Safety Class	UL61010-1, CAT II 600V
waterproof	IP20
Fuse	F1:F 250mA / 250V, F2:F 10A / 250V
Power	9V battery, NEDA 1604 or 6F22
Maximum display value	1999
Over-range indication	"1"
Polarity display	"-" for negative polarity
Low voltage indication	" " on the display
Operating temperature	0~40°C (32~104°F)
Storage temperature	-10~50°C (14~122°F)
Relative humidity	<80% RH
Altitude	<2000m
Dimension (LxWxH)	144X74X40mm
Weight(no rubber case)	about 160g
Weight(with rubber case)	about 250g

Direct voltage measurement

Range	Resolution	Accuracy
200mV	100µV	±0.5% of reading , ±3 digits
2V	1mV	±0.5% of reading , ±3 digits
20V	10mV	±0.5% of reading , ±3 digits
200V	100mV	±0.5% of reading , ±3 digits
600V	1V	±0.8% of reading , ±5 digits

Overload protection:

200mV range: 250V DC or RMS. AC

The rest range: 600V DC or RMS. AC

Alternating voltage measurement

Range	Resolution	Accuracy
200V	100mV	±1.2% of reading , ±10 digits
600V	1V	±1.2% of reading , ±10 digits

Overload protection:600V DC or RMS. AC

Frequency range: 40Hz to 400Hz

Display: Average (effective value of sinusoid)

Transistor hFE test(0-1000)

Range	Test Range	Test Current	Test Voltage
NPN & PNP	0-1000	Lb=10µA	Vce=3V

Direct current measurement

Range	Resolution	Accuracy
20µA	0.01µA	±1% of reading , ±3 digits
200µA	0.1µA	±1% of reading , ±3 digits
2mA	1µA	±1% of reading , ±3 digits
20mA	10µA	±1% of reading , ±5 digits
200mA	100µA	±1.5% of reading , ±5 digits
10A	10mA	±3% of reading , ±10 digits

Overload protection:

F1:F 250mA/ 250V, F2:F 10A/ 250V

Resistor

Range	Resolution	Accuracy
200Ω	0.1Ω	±0.8% of reading , ±5 digits
2kΩ	1Ω	±0.8% of reading , ±2 digits
20kΩ	10Ω	±0.8% of reading , ±2 digits
200kΩ	100Ω	±0.8% of reading , ±2 digits
2MΩ	1kΩ	±1.0% of reading , ±5 digits

Maximum open circuit voltage: 3.2V

Overload protection: 250V DC or RMS. AC

Diode and circuit on-off measurement

Range	Description
∞)	When the on-resistance is smaller than (70±30)Ω, he built-in buzzer will beep.
→	Displays the approximate diode positive voltage.

Overload protection: 250V DC or RMS. AC

Temperature measurement

Range	Resolution	Measurement	Accuracy
°C	1°C	-20°C to 0°C	±10% range, ±2 digits
		0°C to 400°C	±1.0% range, ±3 digits
		400°C to 1000°C	±2.0% range

Overload protection: 250V DC or RMS. AC

Operating Instructions

Notices before operation:

1. Plug the instrument in, check the 9V battery, if it is low the symbol will display, requiring battery replacement; otherwise follow the steps below.
2. The besides the probe jack indicates that the input voltage or current should not exceed the specified limits to protect the internal circuit.
3. Before measurement, turn the function/range switch to the desired range.

Direct volatge measurement

1. Insert the red probe into the “ **VΩmA** ” jack and the black one into the **COM** jack.
2. Turn the function/range switch to the range of **V^m** and connect the probe to the power supply or load to be measured.The polarity touched by the red probe will be on the display.

Notice

- 1.If you do not know the measured voltage range in advance, set the function/range switch to the maximum range,and then gradually turn to smaller ranges until satisfactory resolution.
- 2.If the display shows “1”, this indicates an overrange measurement,and the switch should be set to a higher range.
- 3.Do not input a voltage of more than 250V, it is capable of indicating a higher voltage, but with the risk of damaging the inside circuit.
- 4.When taking the measurement of high voltage, pay special attention to avoid an electric shock.

Alternating voltage measurement

1. Place the red probe into the “ **VΩmA** ” jack and the black one into the “**COM**” jack.
2. Turn the switch to **V[~]** and connect the probe to the power supply or load to be measured.

Note : Refer to point 1, 2, 3, and 4 for direct voltage measurement.

Transistor test

1. set the rotary switch to “hFE” position.
- 2.Determine whether the transistor under testing is NPN or PNP and locate the emitter, base and collector leads. Insert the leads into proper holes of the hFE socket on the front panel.
- 3.Read the approximate hFE value at the test condition of basecurrent 10µA and Vce 3V.

Direct current measurement

- 1.Place the black probe into the COM jack.for current to be measured not exceeding 200mA, put the red one into the “ **V.Ω.mA** ” jack. For current to be measured between 200mA and 10A, insert the red probe into the10A jack.
- 2.Set the function/range switch to the desired **A^m** range, and connect the probe in series with the load to be measured. The current value and the polarity connected to the red probe will be shown on the display.

Notice

- 1.If you do not know the measured current range in advance, set the function/range switch to the maximum range,and then gradually turn to smaller ranges until satisfactory resolution.
- 2.If the display shows “1”, this indicates an overrange measurement,and the switch should be set to a higher range.
- 3.The symbol “ ”beside the probe indicates the maximum input current is 200mA or 10A, depending on the inserted jack. Overcurrent will blow the fuse.

Resistance measurement

1. Place the black probe into the **COM** jack and the red one into the **V/Ω/Hz** jack.
2. Turn the switch to the COM jack, and connect the probe to the resistor being measured and read the results on the display.

Notice

1. If the resistor being measured is greater than the maximum value of the selected range, the display will show “1”, requiring the selection of a higher range. It normally takes a few seconds for the reading to get stable when measuring a resistor larger than 1MΩ.
- 2.In default of input,for instance,open circuit,the display shows“1”.
3. When measuring an online resistor, de-energized the circuit being measured and discharge all capacitors.

Diode measurement

1. Insert the black probe into the COM socket and the red one into the V.Ω.mA, then the red probe will be of positive polarity.
2. Turn the switch to the range,and connect the red probe to the positive pole of the diode being measured and the black one to the negative pole, read the approximate forward voltage drop of the diode on the display.

Circuit On-Off measurement

1. Insert the black probe into the **COM** jack and the red one into the **V.Ω.mA** jack.
2. Turn the switch to the ∞) position and connect the probes in parallel with two points of the circuit being measured. If the resistance between the two points is less than 100Ω, the built-in buzzer will beep to indicate the continuity between the two points.

Temperature measurement

1. Turn the switch to the °C position and insert the black probe of the thermocouple sensor into COM jack and the red one into the V.Ω.mA jack. Place the operating terminals (temperature measurement terminals) onto or inside the object being measured and directly read the temperature value in °C on the display.
- 2.When the switch is turned to the °C position and the sensor is in an open circuit, the display shows room temperature.

Replace test leads

If insulation on leads is damaged, replace test leads.

Warning
Use meet EN 61010-031 standard, rated CAT III 600V, or better test leads.

Replacement of battery and fuse

1. Under normal conditions, it is unnecessary to replace the fuse. Don't replace it until the probes are unplugged and the power is shut down. Take out the screws of the rear cover to remove the housing.
2. The replacement of the fuse should be of the same specification:F1:F 250mA/ 250V; F2:F 10A/ 250V
3. The replacement of battery should be of the same specification:9V NEDA 1604 or 6F22.
4. Don't put the instrument into use until the rear cover is screwed after replacing battery or fuse.

Warning
To avoid electric shock, make sure the probes are disconnected from the measured circuit before removing the rear cover.Make sure the rear cover is tightly screwed before using the instrument.

Attachments

- Instruction Manual: one copy
- Probe: one pair
- Package: one piece
- 9 V battery NEDA 1604 or 6F22: one provided (in the multimeter)
- Rubber case (Optional)

