

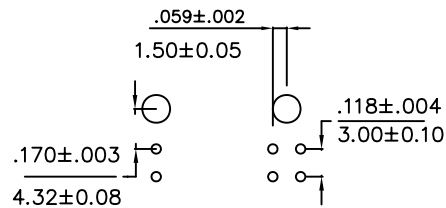
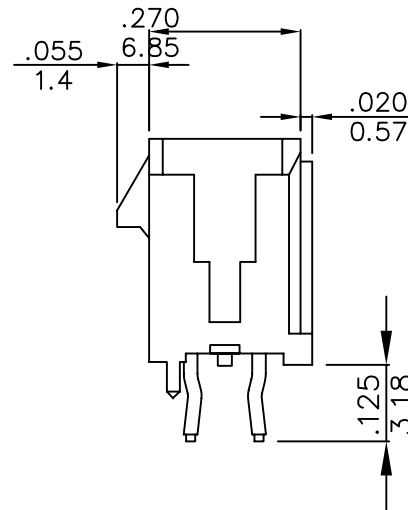
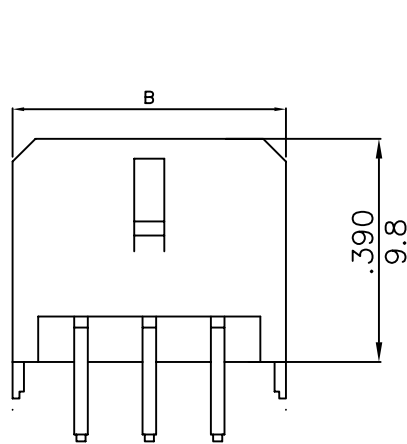
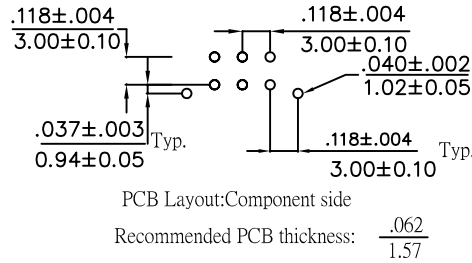
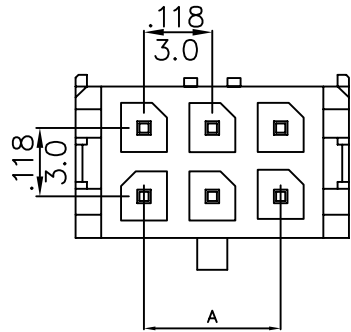
# WW300-V2xN (N=1-12P)

## Vertical Header

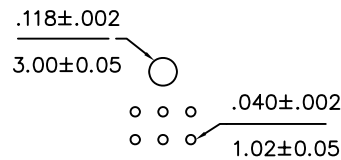
- 2~24 circuits available
- Material: Nylon 9T
- .025"(0.64mm) square pins
- Tin-plated brass pin
- Mates with WW300-M2xN Housing

Dimensional Information-In(mm) WW300-V2xN

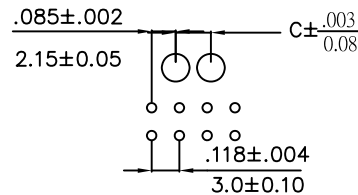
Circuits	Dim.A	Dim.B	Dim.C
2		0.236(6.0)	
4	0.118(3.0)	0.354(9.0)	
6	0.236(6.0)	0.472(12.0)	
8	0.354(9.0)	0.591(15.0)	0.185(4.7)
10	0.472(12.0)	0.709(18.0)	0.303(7.7)
12	0.591(15.0)	0.827(21.0)	0.421(10.7)
14	0.709(18.0)	0.945(24.0)	0.539(13.7)
16	0.827(21.0)	1.063(27.0)	0.657(16.7)
18	0.945(24.0)	1.181(30.0)	0.776(19.7)
20	1.063(27.0)	1.299(33.0)	0.894(22.7)
22	1.181(30.0)	1.417(36.0)	1.012(25.7)
24	1.299(33.0)	1.535(39.0)	1.130(28.7)



2 circuit 4 circuit

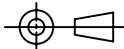


6 circuit



8~24 circuit

### PCB Layout

Rev	Description/Date	Drawn By: Storm.li	Customer:	Third angle projection	 X.± .X±0.40 .XX±0.30 .XXX±
△	Sample/Sep.11.2006	Checked By: Simmon	Part No.: WW300-V2xN	General Dimension Tolerance	
△		Approved By: Tony	Title: Dual Row Vertical Header		
SGS Report No.:					