

FEATURES AND SPECIFICATIONS

Features and Benefits

- Locking tang for secure housing retention

Reference Information

Packaging: Reel or bag

Use With: [51021](#)

Mates With: 51025 and [50133](#)

Designed In: Millimeters

Electrical

Voltage: 125V

Current: 1.0A

32 AWG—0.8A

Contact Resistance: 20mΩ max.

Dielectric Withstanding Voltage: 250V AC/1 min.

Insulation Resistance: 100 MΩ min.

Physical

Contact: Phosphor Bronze

Plating: Tin

Wire Range:

26 to 28 AWG—50079

28 to 32 AWG—50058

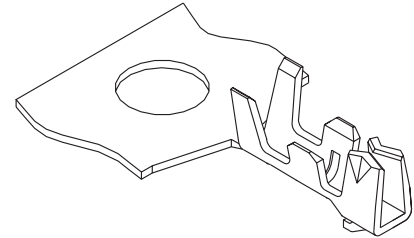
Insulation Range: 1.00mm dia. max.

Strip Length: 1.40 to 1.90mm



1.25mm (.049") Pitch Wire-to-Board and Wire-to-Wire Crimp Terminal

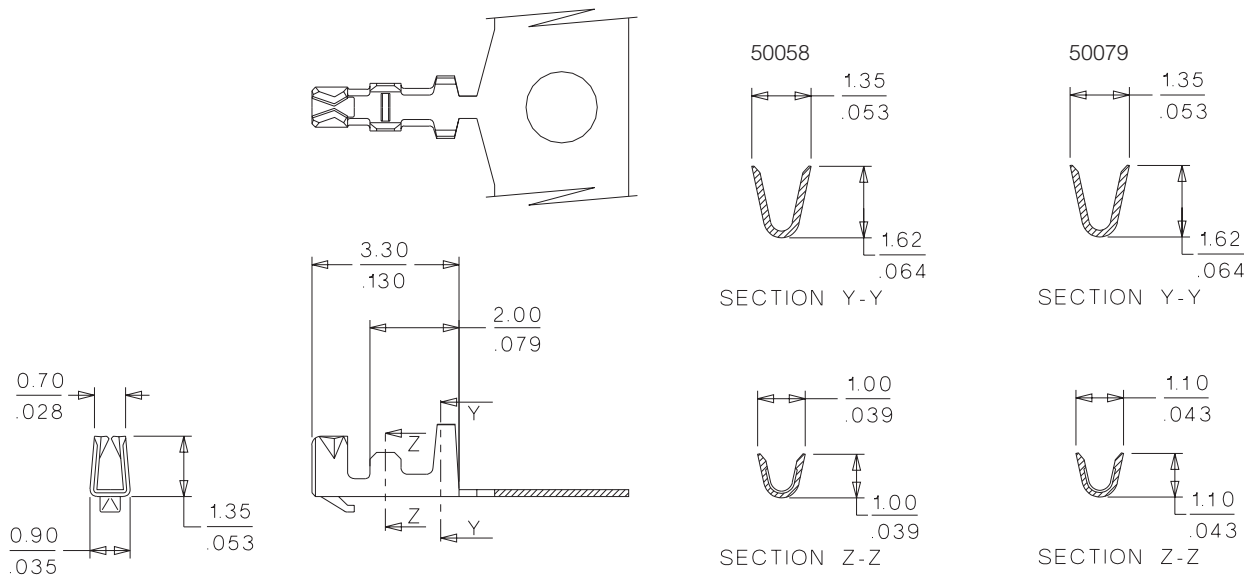
50079/50058 Female



0.40 to 1.60mm (.016 to .063") Pitch

A

CATALOG DRAWING (FOR REFERENCE ONLY)



ORDERING INFORMATION

Order No.	Wire Range AWG	Terminal
50079-8000	26 - 28	Reel
50058-8000	28 - 32	
50079-8100	26 - 28	Bag
50058-8100	28 - 32	