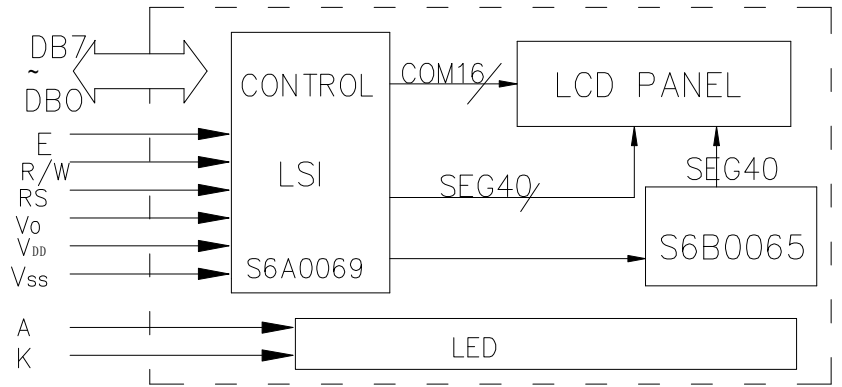


	COLOUR	H1	H2
LED BACKLIGHT	Yellow-Green	13.5	9.5
LED BACKLIGHT	White	11.3	7.2



FEATURE	
1.	5 x 8 dots with cursor
2.	Display format: 16 characters x 2 lines
3.	LCD type: FSTN/STN /TN
4.	LCD controller: S6A0069
5.	LCD colour: Blue/Gray/Yellow-Green

MECHANICAL SPECIFICATIONS		
CHARACTER NUMBER	16 x 2	---
OVERALL SIZE	80 x 36	mm
VIEWING AREA	64 x 13.5	mm
HOLE-HOLE	75 x 31	mm
DOT SIZE	0.55 x 0.5	mm
DOT PITCH	0.6 x 0.55	mm

ABSOLUTE MAXIMUM RATINGS				
ITEM	SYMBOL	MIN	MAX	UNIT
Power supply(logic)	Vdd	-0.3	5.5	V
Power supply(lcd)	V0	0	4.9	V
Input voltage	Vin	-0.3	VDD+0.3	V

ELECTRONICAL CHARACTERISTICS						
ITEM	SYMBOL	CONDITION	STANDARD			UNIT
			MIN	TYP	MAX	
Power supply voltage for circuit	VDD-VSS	-----	4.75	5	5.25	V
Power supply voltage for LCD drive	VDD-V0	-----	-----	4.7	-----	V
LCD display duty ratio	DUTY	-----	-----	1/16	-----	---
LED BACKLIGHT	Ifp	1 mseo plus 10% Dutg	-----	-----	-----	mA
		Operating voltage	-----	4(YG) 3.1(W)	-----	V
		Forward current	-----	80(YG) 35(W)	-----	mA
LED Lifetime	-----	VFL=4.0(3.1)V rms	----	10000	-----	Hr
Power supply LCD current	IEE	VDD-V0=4.7V	----	----	----	mA

Pin Assignment		
Pin no	symbol	Function
1	Vss	Power supply(GND)
2	Vdd	Power supply(+5.0V)
3	V0	Contrast Adjust
4	RS	Register select signal
5	R/W	Data read/write
6	E	Enable signal
7-14	DB0-DB7	Data bus
15	A	LED B/L(+)
16	K	LED B/L(-)

DISPLAY CHARACTER ADDRESS CODE																
Display position:	1	2	3	4	5	6	7	8	9	10	11	12	13	14	15	16
Address line1:	00	01	02	03	04	06	05	07	08	09	0A	0B	0C	0D	0E	0F
Address line2:	40	41	42	43	44	45	46	47	48	49	4A	4B	4C	4D	4E	4F