

***ME* DISPLAYS**

SPECIFICATIONS

FOR

LCD MODULE

SG12232Q

MICRO ELECTRONICS CORPORATION

3375 Scott Blvd. Suite 222 Santa Clara CA 95054

Tel: 408-988-1101 Fax: 408-988-7626

Email: micro@microelect.com

Http://www.microelect.com

• FEATURES

Number of Dots	122 x 32
Built-in Controller IC	SED1520 or equivalent
Duty Cycle	1/32 Duty
LED Forward Voltage	4.2V
Options	LED/EL Backlights, STN

• MECHANICAL PARAMETERS

Module Size	66.2W x 33.2H x 8.8T mm
Viewing Area Size	60.5W x 18.5H mm
Active Area Size	53.64W x 15.64H mm
Dot Size	0.40 x 0.45 mm
Dot Pitch	0.44 x 0.49 mm

• ABSOLUTE MAXIMUM

Item	Symbol	Min.	Max	Unit
Supply Voltage for Logic	$V_{DD} - V_{SS}$	0	7	V
Supply Voltage for LCD Drive	$V_{DD} - V_O$	0	12	V
Input Voltage	V_i	V_{SS}	V_{DD}	V
Operating Temperature	T_a	0	+50	C
Storage Temperature	T_{stg}	-10	+60	C

• ELECTRICAL CHARACTERISTICS

Item	Symbol	Condition	Min	Typ	Max	U
Power Supply Voltage for Logic	$V_{DD} - V_{SS}$	--	4.5	5.0	5.5	V
Power Supply Voltage for LCD	$V_{DD} - V_O$	$V_{DD}=5V$ $T_a=25C$	4.4	4.8	5.2	V
Input "High" Voltage(1)	V_{ih}	--	2.2	--	V_{DD}	V
Input "Low" Voltage(1)	V_{il}	--	--	--	0.6	V
Output "High" Voltage(1)	V_{oh}	--	2.4	--	--	V
Output "Low" Voltage(1)	V_{ol}	--	--	--	0.4	V
Power Supply Current	I_{DD}	$V_{DD} = 5.0V$	--	2.5	4.5	mA

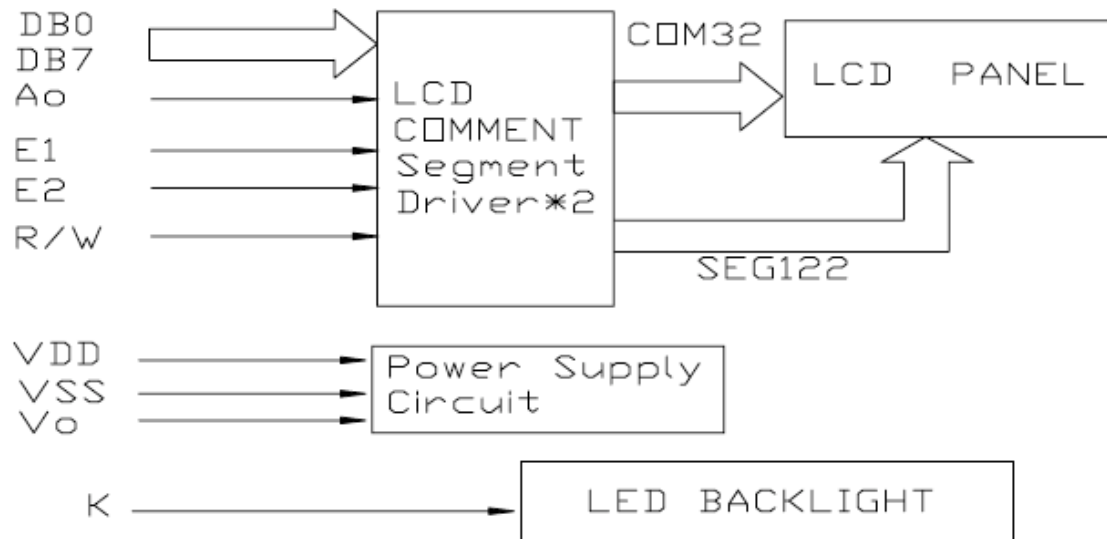
(1) Applied to terminals CS1, CS2, DB0~DB7, R/W, D/I, E RST

• PIN ASSIGNMENT

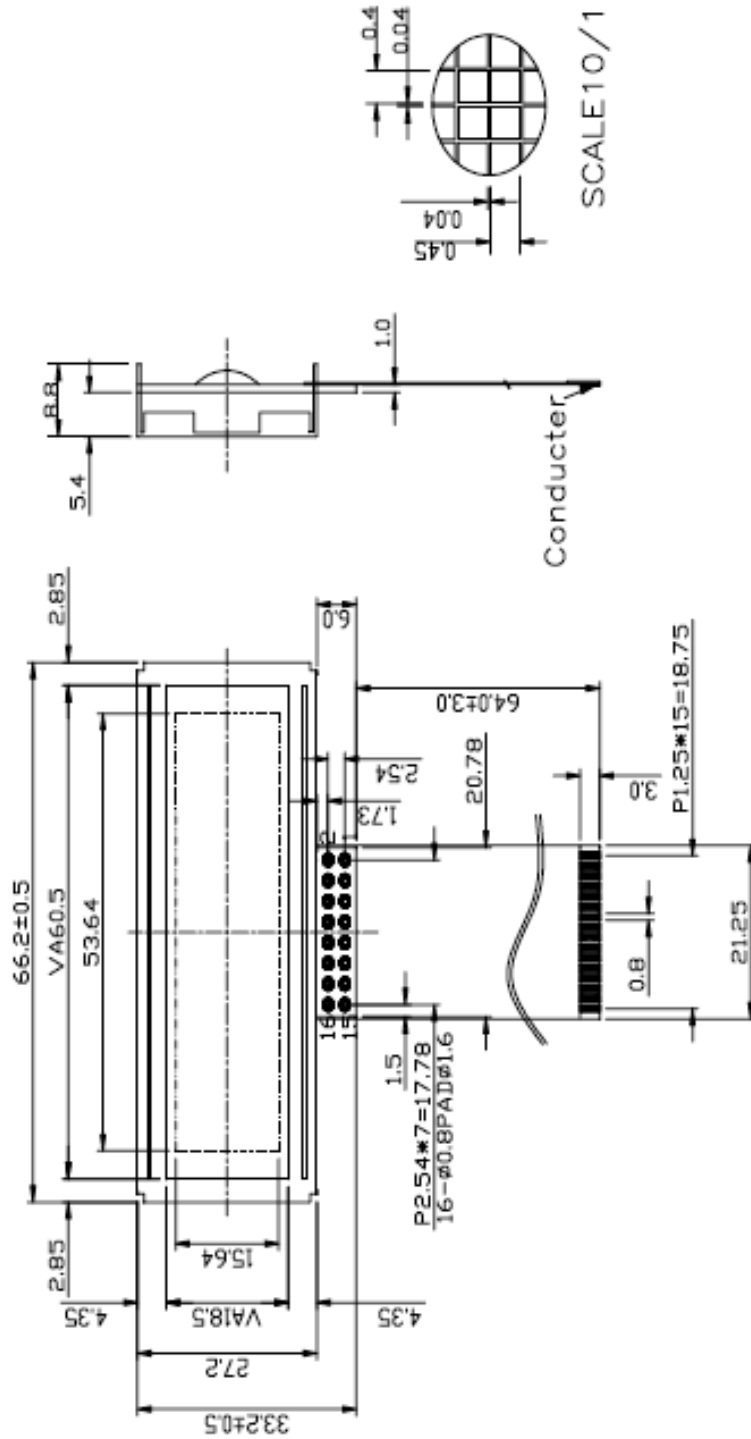
No.	Symbol
1	V _{SS}
2	V _{DD}
3	V _O
4	A _O
5	R/W
6	E1
7	E2
8	K

No.	Symbol
9	DB0
10	DB1
11	DB2
12	DB3
13	DB4
14	DB5
15	DB6
16	DB7

• BLOCK DIAGRAM



- DIAGRAM SG12232Q



• **TIMING CHARACTERISTICS**

Item	Symbol	Min	Max	Unit
System Cycle Time	t_{CYC6}	1000	--	ns
Address Set-up time	t_{AW6}	20	--	ns
Address Hold Time	t_{AH6}	10	--	ns
Data Set-up Time	t_{DS6}	80	--	ns
Data Hold Time	t_{DH6}	10	--	ns
Output Disable Time	t_{OH6}	10	60	ns
Access Time	t_{AAC6}	--	90	ns
Enable Pulse Width (Read)	t_{EW}	100	--	ns
Enable Pulse Width (Write)	t_{EW}	80	--	ns

• **TIMING DIAGRAM**

