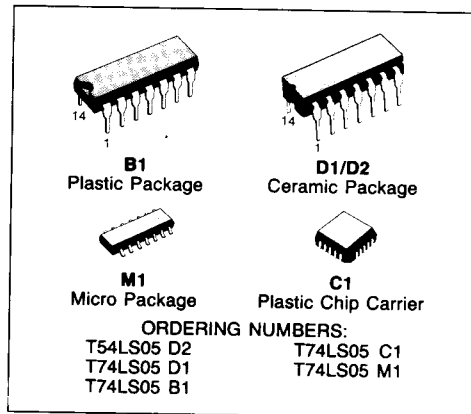




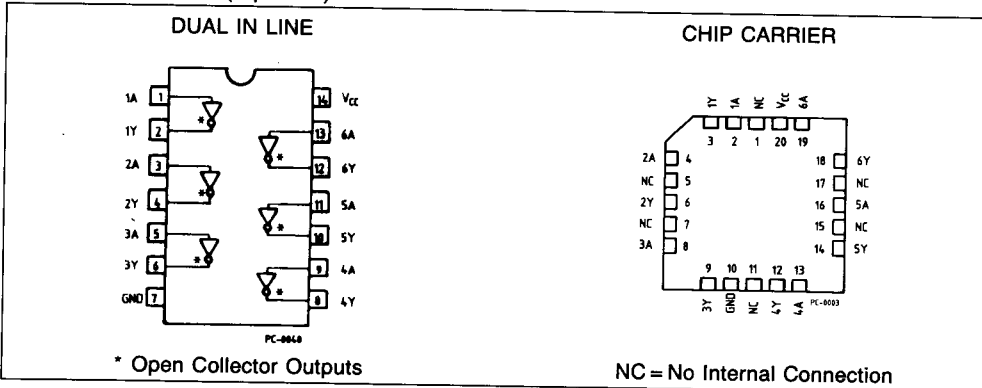
## HEX INVERTER

### DESCRIPTION

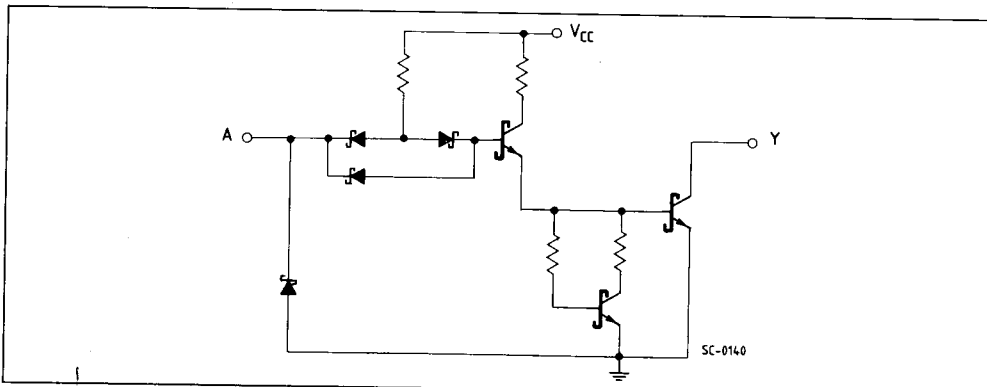
The T54LS05/T74LS05 is a high speed HEX INVERTER fabricated in LOW POWER SCHOTTKY technology.



### PIN CONNECTION (top view)



### SCHEMATIC





### LOGIC DIAGRAM AND TRUTH TABLE

A	Y
L	H
H	L

L = LOW Voltage Level  
H = HIGH Voltage Level

### ABSOLUTE MAXIMUM RATINGS

Symbol	Parameter	Value	Unit
V <sub>CC</sub>	Supply Voltage	- 0.5 to 7	V
V <sub>I</sub>	Input Voltage, Applied to Input	- 0.5 to 5.5	V
V <sub>O</sub>	Output Voltage, Applied to Output	- 0.5 to 10	V
I <sub>I</sub>	Input Current, Into Inputs	- 30 to 5	mA
I <sub>O</sub>	Output Current, Into Outputs	50	mA

Stresses in excess of those listed under "Absolute Maximum Ratings" may cause permanent damage to the device. This is a stress rating only and functional operation of the device at these or any other conditions in excess of those indicated in the operational sections of this specification is not implied. Exposure to absolute maximum rating conditions for extended periods may affect device reliability.

### GUARANTEED OPERATING RANGES

Part Numbers	Supply Voltage			Temperature
	Min	Typ	Max	
T54LS05D2	4.5 V	5.0 V	5.5 V	- 55°C to + 125°C
T74LS05XX	4.75 V	5.0 V	5.25 V	0°C to + 70°C

XX = package type.



### DC CHARACTERISTICS OVER OPERATING TEMPERATURE RANGE

Symbol	Parameter	Limits			Test Conditions (Note 1)	Units
		Min.	Typ.	Max.		
V <sub>IH</sub>	Input HIGH Voltage	2.0			Guaranteed input HIGH Voltage for all Input	V
V <sub>IL</sub>	Input LOW Voltage	54		0.7	Guaranteed input LOW Voltage for all Input	V
		74		0.8		
V <sub>CD</sub>	Input Clamp Diode Voltage		-0.65	-1.5	V <sub>CC</sub> = MIN, I <sub>IN</sub> = -18mA	V
I <sub>OH</sub>	Output HIGH Current	54,74		100	V <sub>CC</sub> = MIN, V <sub>OH</sub> = 5.5V, V <sub>IN</sub> = V <sub>IL</sub>	μA
V <sub>OL</sub>	Output LOW Voltage	54,74	0.25	0.4	I <sub>OL</sub> = 4.0mA V <sub>CC</sub> = MIN, V <sub>IN</sub> = 2.0V	V
		74	0.35	0.5		
I <sub>IH</sub>	Input HIGH Current			20	V <sub>CC</sub> = MAX, V <sub>IN</sub> = 2.7V V <sub>CC</sub> = MAX, V <sub>IN</sub> = 7.0V	μA mA
				0.1		
I <sub>IL</sub>	Input LOW Current			-0.4	V <sub>CC</sub> = MAX, V <sub>IN</sub> = 0.4V	mA
I <sub>CCH</sub>	Supply Current HIGH			2.4	V <sub>CC</sub> = MAX, V <sub>IN</sub> = 0V	mA
I <sub>CCL</sub>	Supply Current LOW			6.6	V <sub>CC</sub> = MAX, Inputs Open	mA

### AC CHARACTERISTICS: T<sub>A</sub> = 25°C (See page 576 for AC test circuit and waveforms)

Symbol	Parameter	Limits			Test Conditions	Units
		Min.	Typ.	Max.		
t <sub>PLH</sub>	Turn Off Delay, Input to Output		17	32	V <sub>CC</sub> = 5.0V C <sub>L</sub> = 15pF, R <sub>L</sub> = 2.0kΩ	ns
t <sub>PHL</sub>	Turn On Delay, Input to Output		15	28		ns

**Notes:**

- 1) For conditions shown as MIN or MAX, use the appropriate value specified under guaranteed operating ranges.
- 2) Typical values are at V<sub>CC</sub> = 5.0V, T<sub>A</sub> = 25°C.