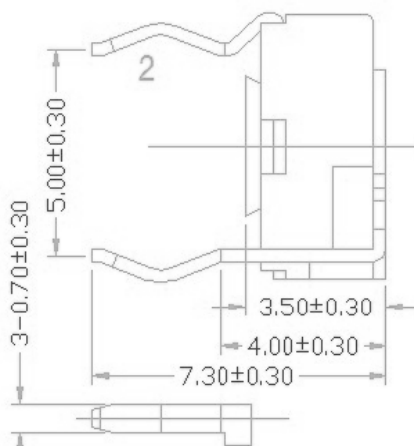
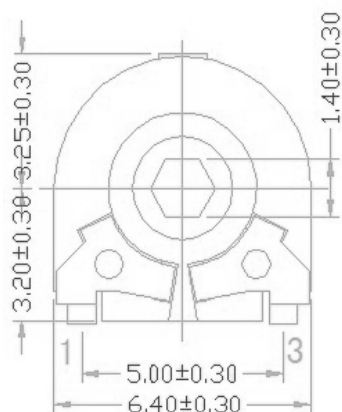


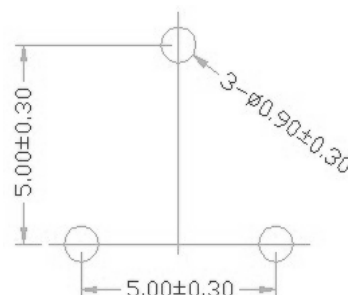
VTR-A-PT6 6mm Carbon Trimming Potentiometer

Electrical Characteristics		CLIMATIC CHARACTERISTICS	
Standard Resistance Range	100Ω - 4.7MΩ	Operating Temp.	-25°C-70°C
Resistance Tolerance	±10%; ±20% ; ±30%	Temp.Characteristics	Resistance change within +5 ~-30% after 5 hours at 70°C
Residual Resistance	Max.5% of Nominal Resistance, but under 30 Ω	Humidity Char.	Max resistance change within ±20% after 350 hours loaded at 40°C and R.H.90%.
Resistance Taper	A (Linear), B (Log), C (Atan)	SOLDERING CONDITIONS	
Rated Power	(A) 0.1W; (B.C):0.05W		
Operating Voltage	(A)100VDC: (B.C)50VDC	Temperature	260°C
Rotational Life	10000/turn	Time	3seconds
MECHANICAL CHARACTERISTICS			
Rotational Angle			235° ± 5°
Rotational Torque			20-200g.cm.
Stop-end Strength			400g.cm minimum

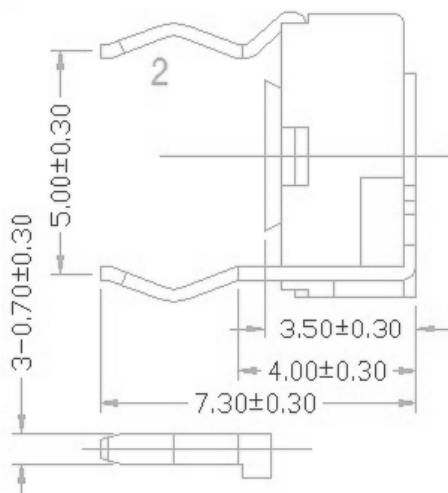
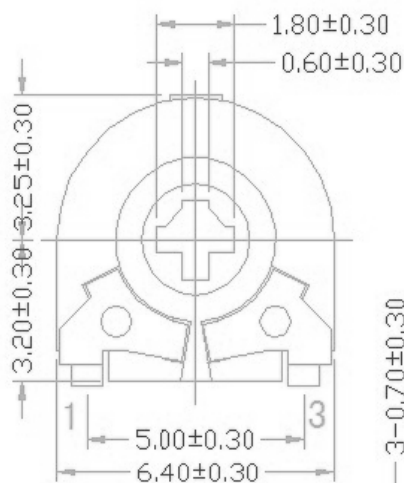
PT6V1



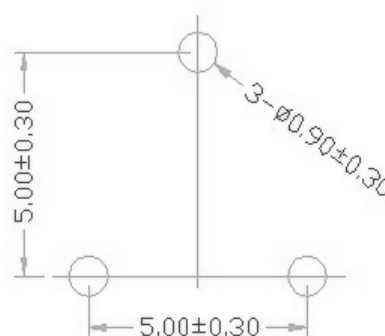
RECOMMEND P.C.B LAYOUT



PT6V2



RECOMMEND P.C.B LAYOUT

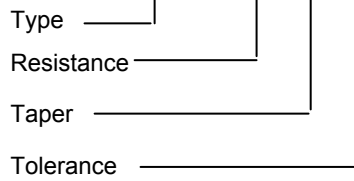


VTR-A-PT6 6mm Carbon Trimming Potentiometer

Size Characters and How to Order

How To Order

VTR - A - PT6H1- 103 - A - 20



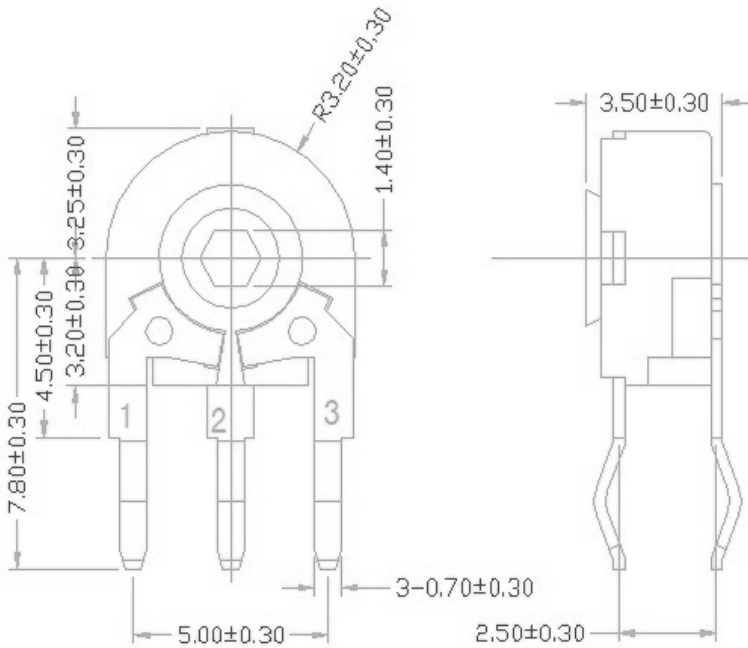
Tolerance:

10: ±10%

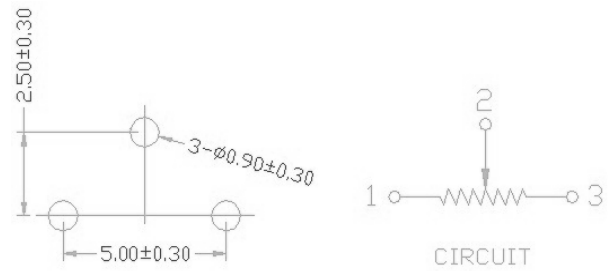
20: ±20%

30: ±30%

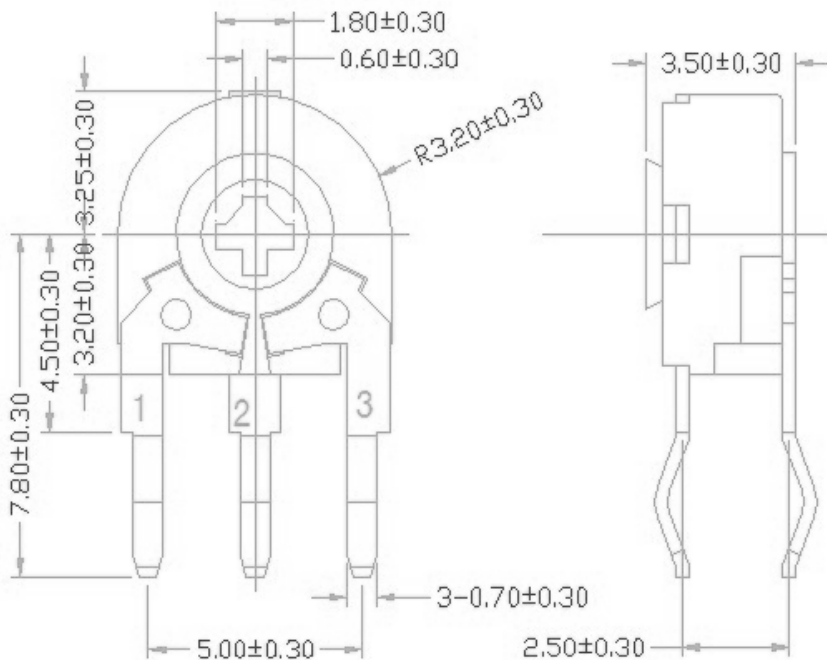
PT6H1



RECOMMEND P.C.B LAYOUT



PT6H2



RECOMMEND P.C.B LAYOUT

