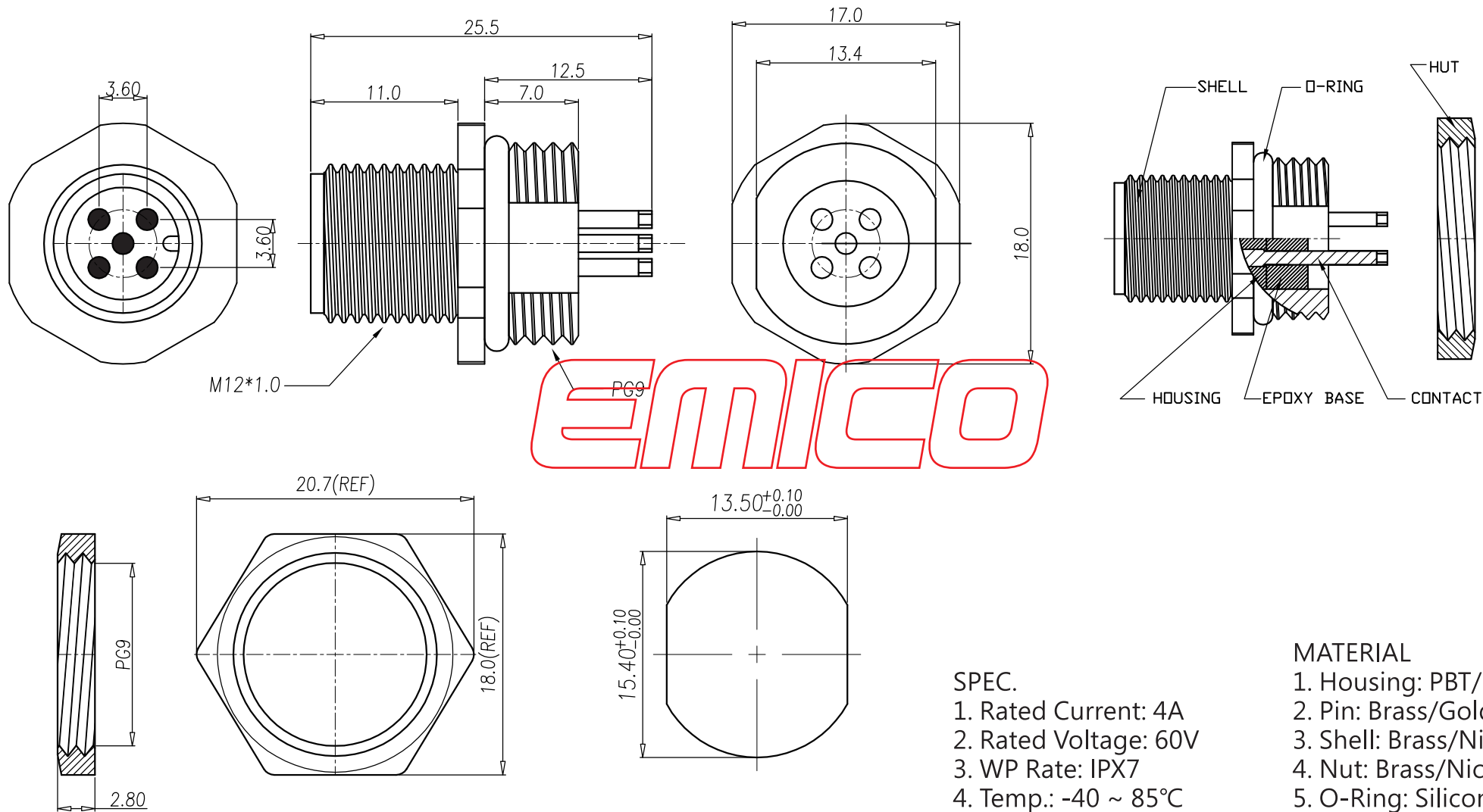


REMARK: RoHS COMPLIANT



SPEC.

1. Rated Current: 4A
2. Rated Voltage: 60V
3. WP Rate: IPX7
4. Temp.: -40 ~ 85°C

MATERIAL

1. Housing: PBT/BK
2. Pin: Brass/Gold
3. Shell: Brass/Nickel
4. Nut: Brass/Nickel
5. O-Ring: Silicone/BK

THIRD ANGLE	UNIT	DATE	TITLE: WP M12 A-Code Male 5PIN Panel Rear, Solder Type
	MM	2016/4/25	
DRAWING BY	APPROVED BY	VERSION	DRAWING NO. WP-M12A1P-PR05S-PB
LEE	Y	A	

EMICO® CONNECT YOUR LIFE

TEL: +886-3-3117527; +886-3-3119828

FAX: +886-3-2225330

E-mail: emico.tw@msa.hinet.net

Website: www.emico-tw.com.tw

EMICO INDUSTRY CORPORATION