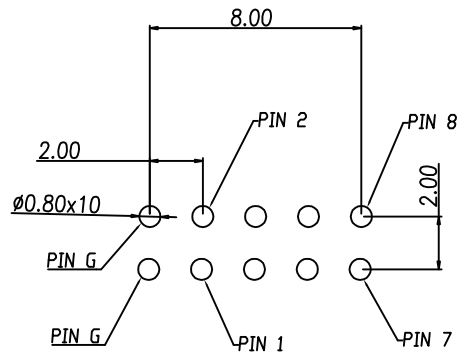
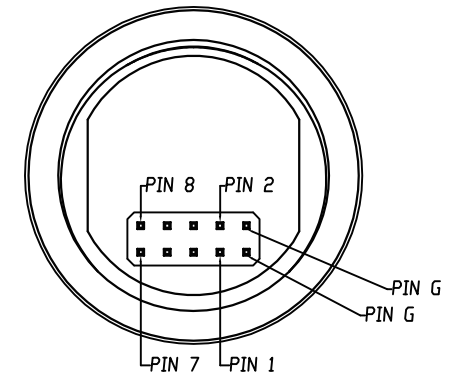
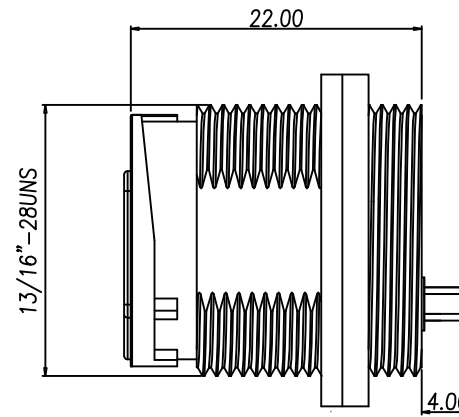
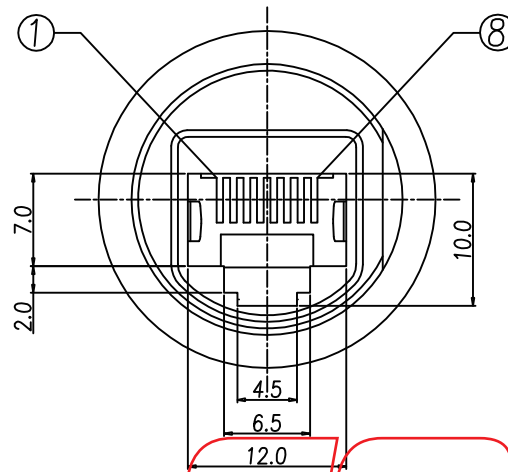


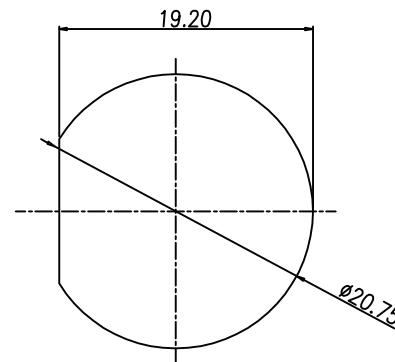
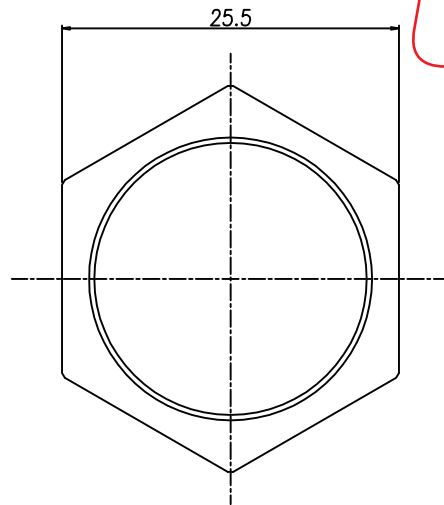
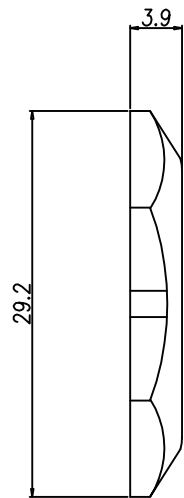
REMARK: RoHS COMPLIANT



PCB Layout



EMICO



Panel Cut-out

SPEC.

1. Rated Current: 1.5A
2. Rated Voltage: 125V
3. WP Rate: IPX7
4. Temp.: -20 ~ 85°C

MATERIAL

1. Housing: PBT/BK
2. Pin: PH. Bronze/Gold
3. Shell: PA66
4. Ground: SUS 301
5. Gasket: Silicone/BK
6. Nut: PA66

THIRD ANGLE	UNIT	DATE	TITLE: WP RJ45 Female 8PIN Panel Bayonet/C-Size, PCB Type
	MM	2017/5/15	
DRAWING BY	APPROVED BY	VERSION	DRAWING NO. WP-RJC2B-P08P
LEE	Y	A	

EMICO® **CONNECT YOUR LIFE**

TEL: +886-3-3117527; +886-3-3119828

FAX: +886-3-2225330

E-mail: emico.tw@msa.hinet.net

Website: www.emico-tw.com.tw

EMICO INDUSTRY CORPORATION