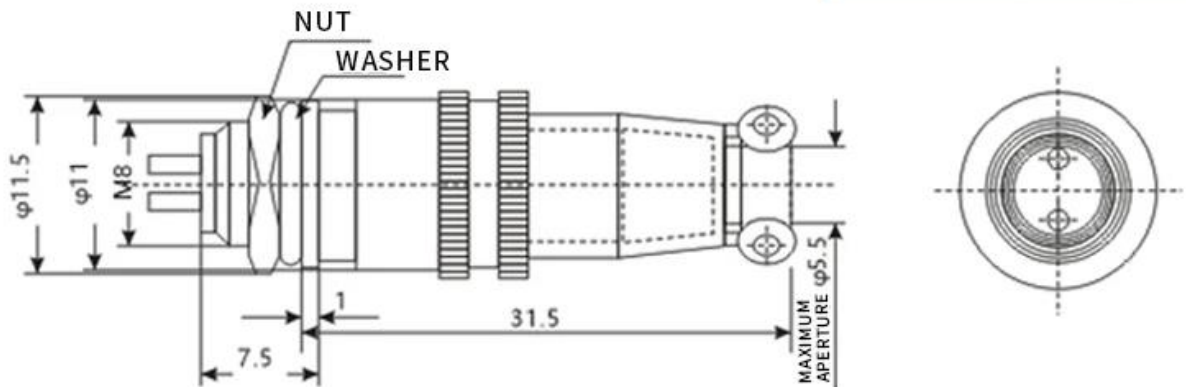
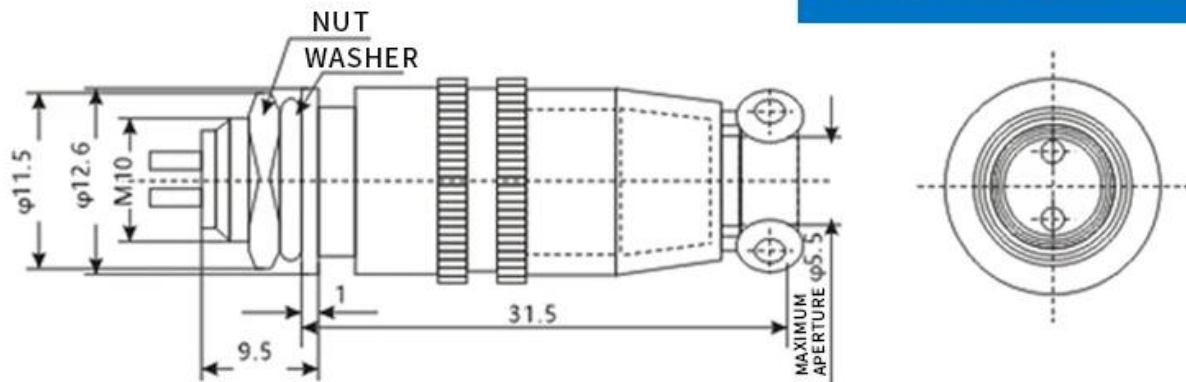


| NO. OF PIN              | 8-2                | 8-3                | 8-4                |                    |  |  |
|-------------------------|--------------------|--------------------|--------------------|--------------------|--|--|
| CONTACT ARRANGEMENTS    |                    |                    |                    |                    |  |  |
| RATED CURRENT / VOLTAGE | 3A/250V            | 3A/250V            | 3A/250V            |                    |  |  |
| TEST VOLTAGE            | AC1500V/1min       | AC1500V/1min       | AC1500V/1min       |                    |  |  |
| INSULATION RESISTANCE   | $\geq 1000M\Omega$ | $\geq 1000M\Omega$ | $\geq 1000M\Omega$ |                    |  |  |
| CONTACT RESISTANCE      | $\leq 0.005\Omega$ | $\leq 0.005\Omega$ | $\leq 0.005\Omega$ |                    |  |  |
| NO. OF PIN              | 10-2               | 10-3               | 10-4               | 10-5               |  |  |
| CONTACT ARRANGEMENTS    |                    |                    |                    |                    |  |  |
| RATED CURRENT / VOLTAGE | 3A/250V            | 3A/250V            | 3A/250V            | 3A/250V            |  |  |
| TEST VOLTAGE            | AC2000V/1min       | AC2000V/1min       | AC2000V/1min       | AC2000V/1min       |  |  |
| INSULATION RESISTANCE   | $\geq 1000M\Omega$ | $\geq 1000M\Omega$ | $\geq 1000M\Omega$ | $\geq 1000M\Omega$ |  |  |
| CONTACT RESISTANCE      | $\leq 1000M\Omega$ | $\leq 1000M\Omega$ | $\leq 1000M\Omega$ | $\leq 1000M\Omega$ |  |  |

### XS8 AVIATION PLUG-IN



### XS10 AVIATION PLUG-IN





**NAME:** XS8 SERIES  
**NUMBER :** 2/3/4PIN  
**SIZE:** 8MM  
**SHELL:** BRASS  
**MATERIAL:** PURE COPPER  
GOLD PLATING



**NAME:** XS10 SERIES  
**NUMBER:** 2/3/4/5 PIN  
**SIZE:** 10MM  
**SHELL:** BRASS  
**MATERIAL:** PURE COPPER  
GOLD PLATING



**NAME:** XS12 SERIES  
**NUMBER:** 2/3/4/5/6/7 PIN  
**SIZE:** 12MM  
**SHELL:** BRASS  
**MATERIAL:** PURE COPPER  
SILVER PLATING

# MARBLE SNAP TYPE

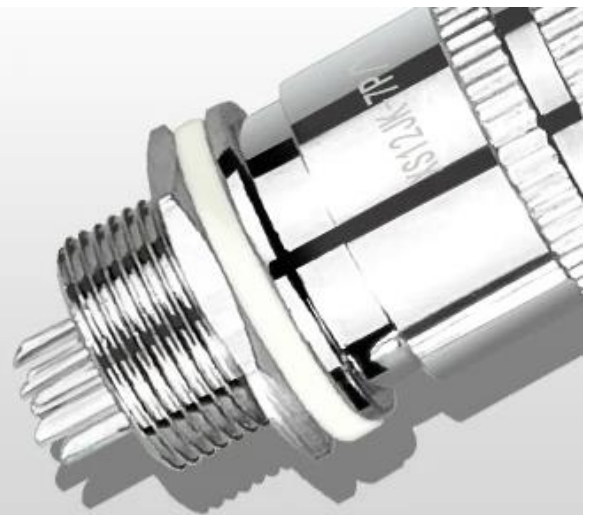
## ONE-PIECE PLUG



ONE-PIECE PLUG IS NOT LOOSE AND DEFORMED TO AVOID AGING, DEFORMATION, BURSTING, ETC.

**NO LOOSENESS AND DEFORMATION PLUG**

**AVOID CORROSION, AGING, FRACTURE AND OTHER PROBLEMS CAUSED BY WELDING**



SPRING CLIP



BLACK BAKELITE HAS GOOD INSULATION, SAFE PLUGGING AND USE, AND LONG SERVICE LIFE

**BAYONET SPRING DESIGN**

**FIXED MALE AND FEMALE**