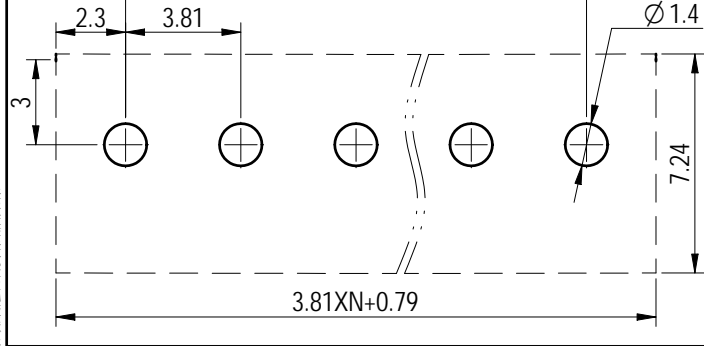
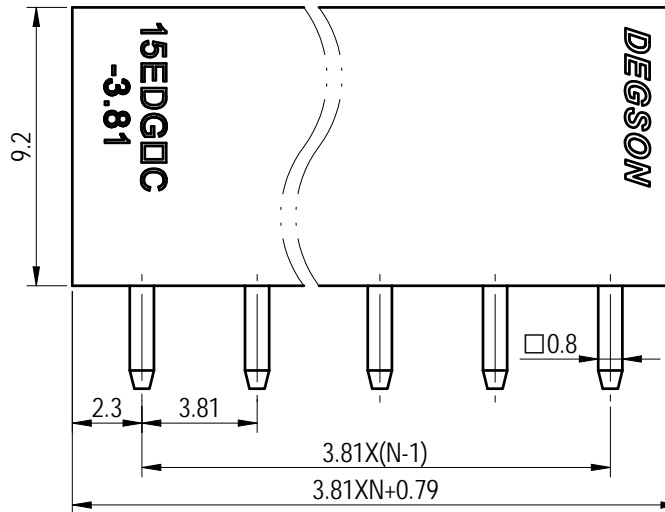
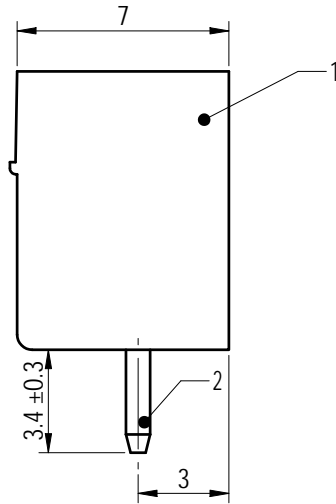
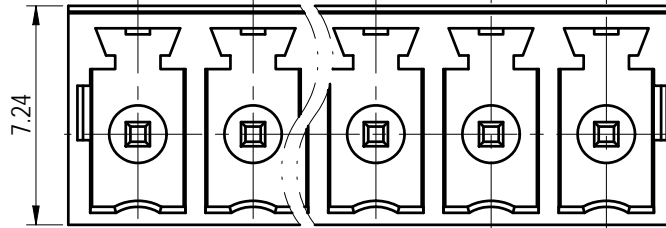
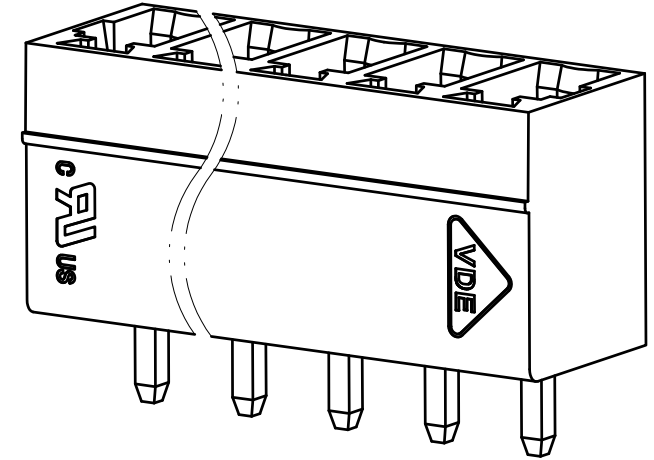


PCB LAYOUT  
3.81x(N-1)



| 未注公差/General tolerances (mm) |       |       |       |       |       |       |       |       |       |       | 0.1/10 |       |       |
|------------------------------|-------|-------|-------|-------|-------|-------|-------|-------|-------|-------|--------|-------|-------|
| 0                            | >3    | >6    | >10   | >18   | >30   | >50   | >80   | >120  | >180  | >250  |        | >315  | >400  |
| ~3                           | ~6    | ~10   | ~18   | ~30   | ~50   | ~80   | ~120  | ~180  | ~250  | ~315  | ~400   | ~500  | >500  |
| ±0.12                        | ±0.18 | ±0.22 | ±0.26 | ±0.31 | ±0.37 | ±0.57 | ±0.80 | ±0.93 | ±1.05 | ±1.15 | ±1.60  | ±2.20 | ±2.50 |



Note:  
The A&Z(H) in the name means: A(H) and Z(H).

| ITEM | NAME OF PART | MATERIAL     | NOTES     |
|------|--------------|--------------|-----------|
| 2    | Pin          | Copper alloy | Sn Plated |
| 1    | Housing      | PA66         | UL94V-0   |

| UL 标准/UL Standard:                              | B             | C     | D     |
|---|---------------|-------|-------|
| 额定电压/电流/Rated Voltage(V)/Current(A)             | 300/8         | /     | 300/8 |
| IEC 标准/IEC Standard:                            |               |       |       |
| 过压类别/Overvoltage Category/污染等级/Pollution Degree | III/3         | III/2 | II/2  |
| 额定电压/电流/Rated Voltage(V)/Current(A)             | /             | /     | 250/7 |
| 额定脉冲电压(KV)/Rate Impulse Voltage(KV)             | /             | /     | 2.5   |
| 间距/Pitch(mm)/线数范围/Poles                         | 3.81/N=02~24P |       |       |
| 使用温度范围/Operating temperature(°C)                | -40~+105      |       |       |
| 符合RoHS环保要求/Conform to RoHS                      | Yes           |       |       |
| 标准颜色编号/Standard color number: PANTONE / RAL     | /             |       |       |



|                     |                |
|---------------------|----------------|
| MATERIAL:           | SURFACE/COLOR: |
| MAT NO./REV: - / 00 | MAT STATUS: 批量 |

|           |            |
|-----------|------------|
| APPD: 兰春华 | 2022.10.11 |
| CHKD: 龚耀志 | 2022.10.11 |
| DRFT: 方哲盛 | 2022.10.11 |

|                              |  |  |  |  |
|------------------------------|--|--|--|--|
| NAME                         |  |  |  |  |
| 15EDGVC-3.81-XXP-1Y-00A&Z(H) |  |  |  |  |

| REV | ECN | DESCRIPTION | DRFT | DATE       | 比例 (inch) |
|-----|-----|-------------|------|------------|-----------|
| 00  |     |             | 方哲盛  | 2022.10.11 | A4        |

|             |                  |                |       |       |
|-------------|------------------|----------------|-------|-------|
| DRAWING NO. | TYPE             | DRAWING STATUS | SCALE | SHEET |
| 200099361   | CUSTOMER DRAWING | 已发布            | 2:1   | 1/1   |

Transfer or duplication of this document as well as the utilization or communication of its content are prohibited unless authorized in writing by the copyright owner. All rights reserved for patent, utility model or design registrations. 除专利权明确标注外, 复制、引用、交流等文件均须获得授权, 否则属于侵权行为。 未经授权擅自复制或传播, 侵害专利权人合法权益, 侵权者将承担相关法律责任。