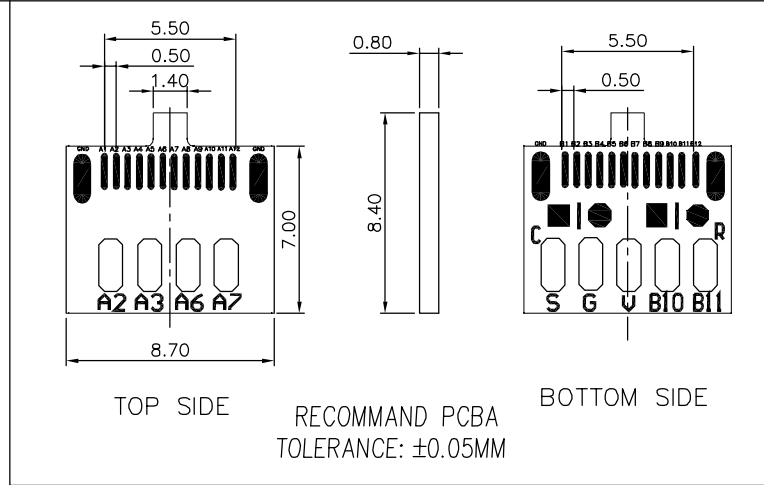
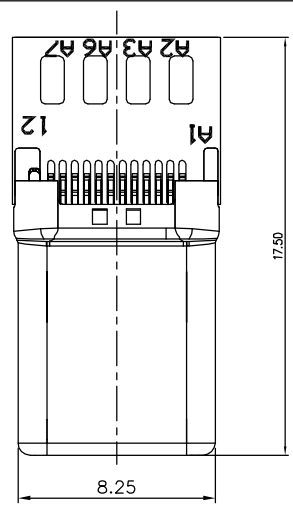
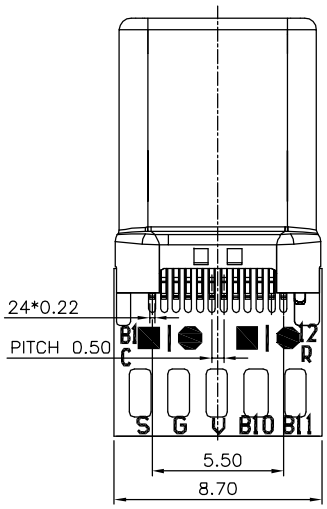
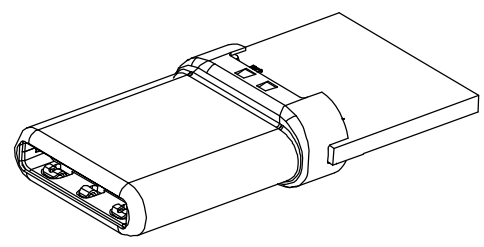
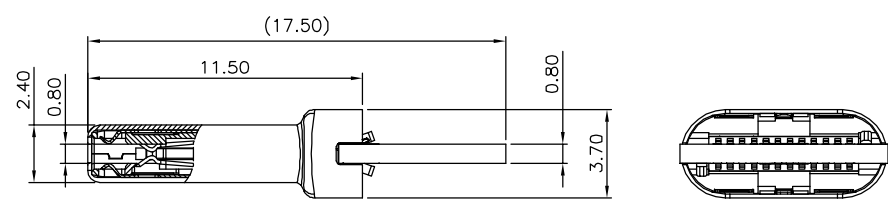
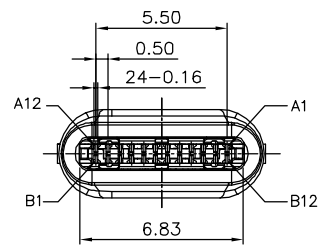


REV	DESCRIPTION	DATE	ECN NO.	CHANGER
A-0	Initial Release	2016.03.01		Great



Pin	Signal Name	Mating Sequence	Pin	Signal Name	Mating Sequence
A1	GND	First	B12	GND	First
A2	TX1p	Second	B11	RX1p	Second
A3	TX1n	Second	B10	RX1n	Second
A4	Vbus	First	B9	Vbus	First
A5	CC1	Second	B8	SBU2	Second
A6	Dp	Second	B7		
A7	Dn	Second	B6		
A8	SBU1	Second	B5	CC2	Second
A9	Vbus	First	B4	Vbus	First
A10	RX2n	Second	B3	TX2n	Second
A11	RX2p	Second	B2	TX2p	Second
A12	GND	First	B1	GND	First
SHELL	GND		SHELL	GND	



NOTE:

- MATERIAL:
 - INSULATOR: HIGH TEMPERATURE PLASTIC UL 94 V-0;
 - CONTACT: COPPER ALLOY(T=0.15mm)
 - SHELL: STAINLESS STEEL(T=0.20mm)
- ELECTRICAL CHARACTERISTICS;
 - CONTACT RESISTANCE: 40mΩ Max FOR INITIAL. 10mΩ CHANGE AFTER TEST. MEASURE AT 20mV, 100mA.
 - CONTACT CURRENT RATING: 5A FOR Vbus PIN; 1.25A FOR Vconn PIN.
 - DIELECTRIC WITHSTANDING VOLTAGE: 100V AC R.M.S.
 - INSULATION RESISTANCE 100MΩ Min
 - OPERATING TEMPERATURE: -40°C ~ 85°C
- MECHANICAL CHARACTERISTICS:
 - MATING FORCE: 5~20 N.
 - UNMATED FORCE: 8~20N AFTER TEST
 - DURABILITY: 10,000 CYCLES
- PLATING
 - TERMINAL CONTACT: (SEE TABLE) GOLD PLATED ON CONTACT AREAR, Matte Tin PLATED ON SOLDER TAILS, NICKEL PLATED OVERALL.
 - SHELL: NICKEL PLATED OVERALL.

CZT[®] DONGGUAN ZHENGDE (YIHUA) CONNECTOR CO., LTD

29103G00154	C	10nF CAPACITANCE	VBUS—GND	LCP, Black,15U/Matte tin C to USB 2.0(3.0)PLUG
	R	56kΩ RESISTANCE	CC—VBUS	
PART NUMBER	PCB BOARD RESISTOR /CAPACITANCE SOLDER POSITION	CAPACITANCE /RESISTOR VALUE	RESISTOR/RESISTOR METHOD OF CONNECTING WIRE	REMARK

X. ±0.50	X.* ±4*	UNIT: mm	DR: Great	TITLE: USB 3.1 C TYPE PLUG TYPE SPLINT FOR USB3.0 PCB
.X ±0.30	.X* ±2*			
.XX±0.20	.XX*	SCALE: 1:1	CHKD:	SHEET: 1/1
.XXX±0.10	.XXX*	CUSTOMER DRAWING	REV: A-0	P/N: See table
		APPD:	D/N: 130A-0011	M/N: